

The wooden kneeling chair

By D. Janosev



Eleven pieces of just about any hardwood found around the shop is enough to build it.

OK, so you need some basic machines and power tools. If you have them, the rest is self-explanatory.



The idea behind this chair is to shift a part of your weight from the old gluteus maximus to your knees, hence the kneeling chair. It forces you to sit up straight and offers a couple of hours of comfortable seating.

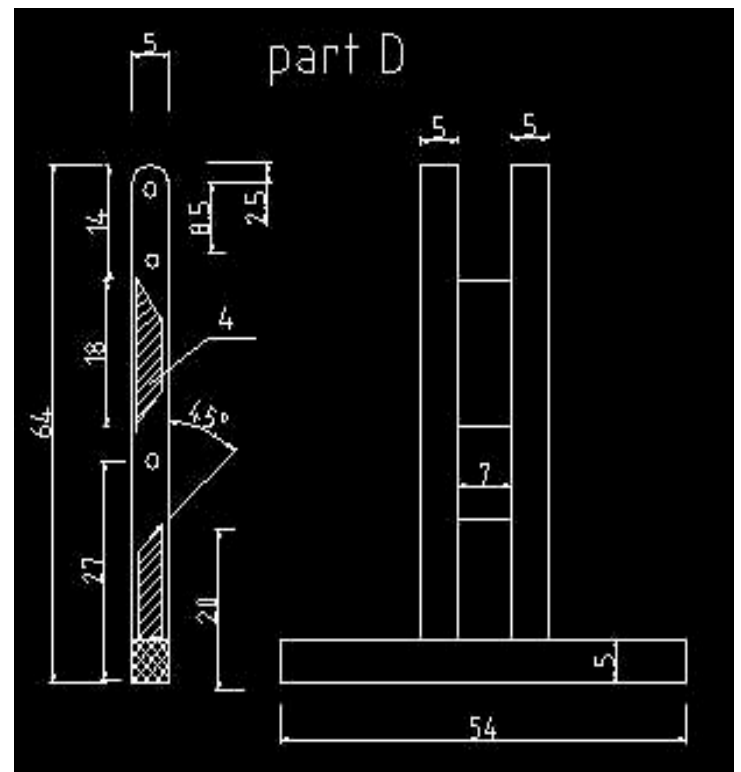
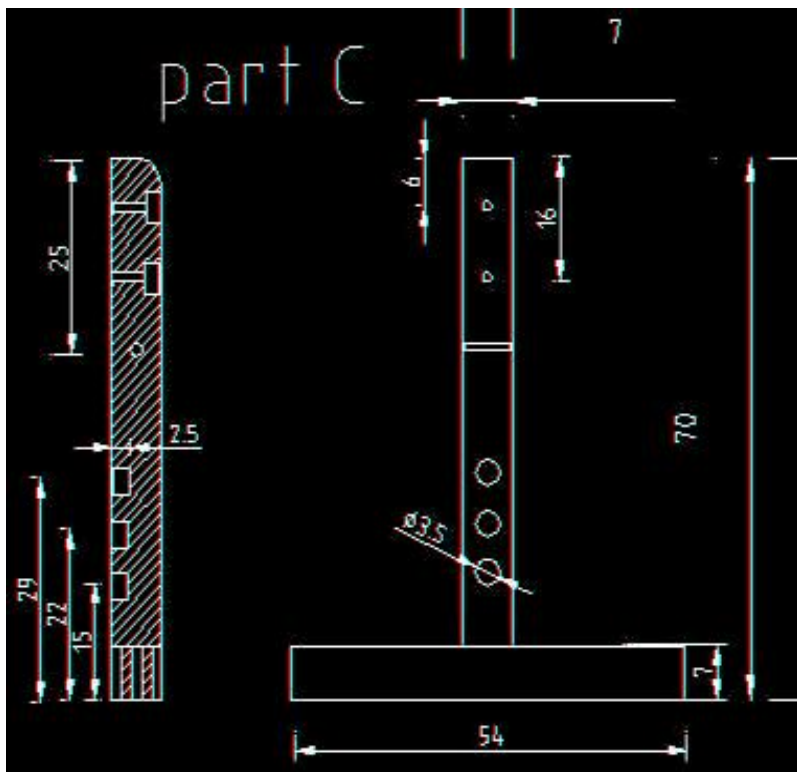
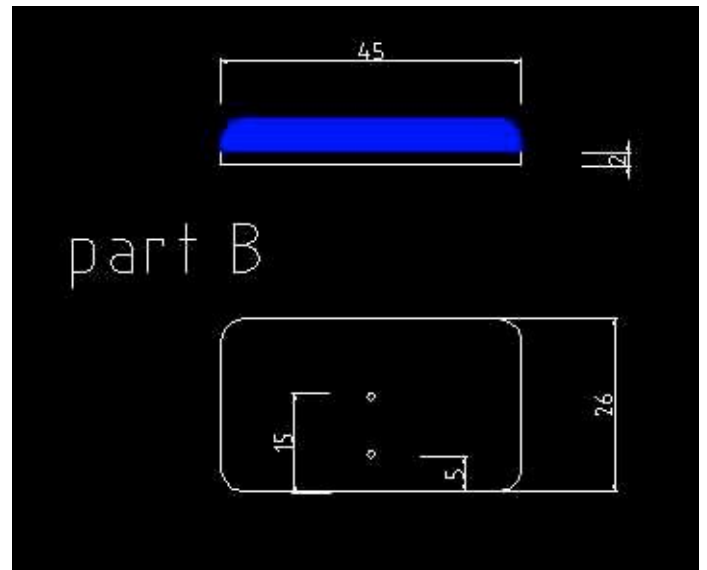
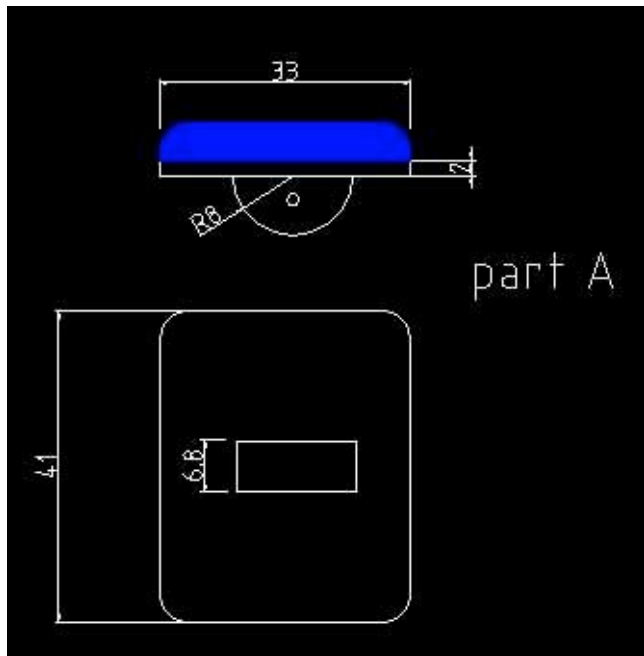
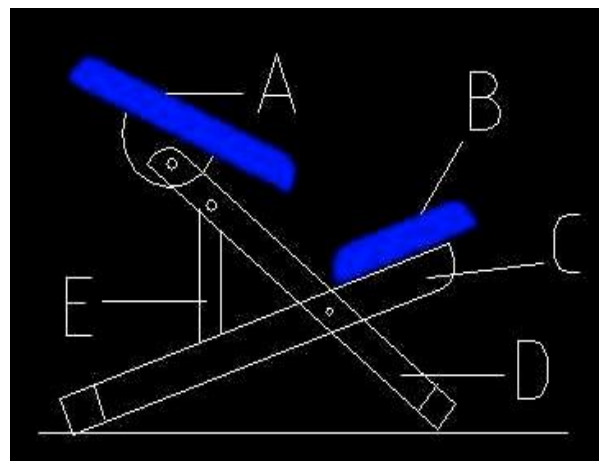
It took me about two days to build, paint and upholster the whole thing. No big deal as you see below...

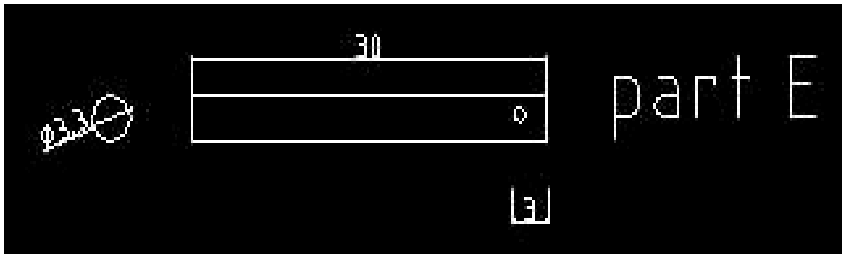


Check out the sandpaper patches. They were glued there to prevent the seat from slipping

Just stick to the dimensions on the drawings below and you can't go wrong. I used ordinary white glue and 10mm bolts to connect the moving parts. When everything was done I covered the bolts with chrome caps...

If you plan to use leather for the seat, be sure to put paper on both sides of it before running it through the sewing machine..otherwise it sticks and makes a general mess of things..good luck!





That's it.

If you experience any problems feel free to write to me at:

Dzj@bigfoot.com