

*Here is a set of
Project Plans
from*

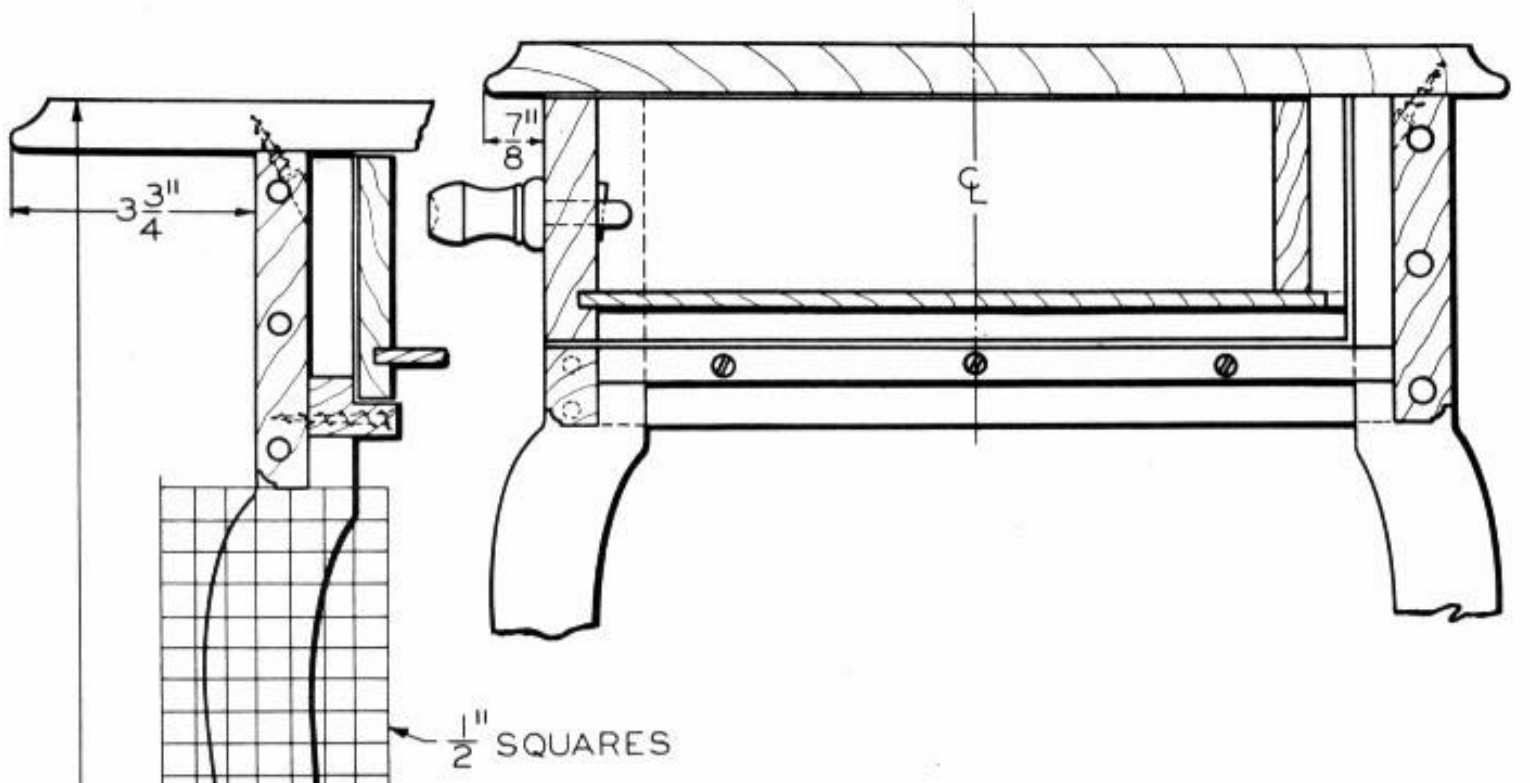


Copyright © 2004

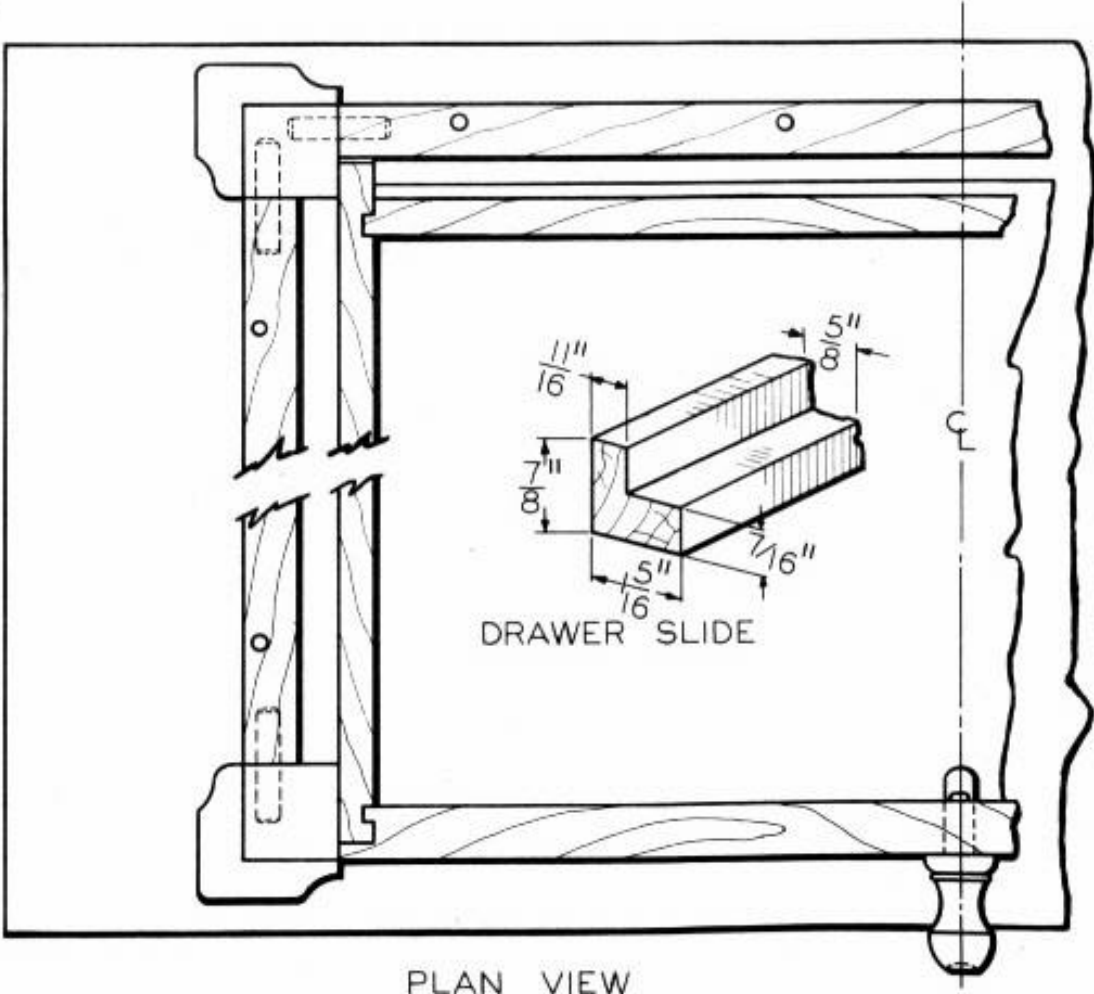
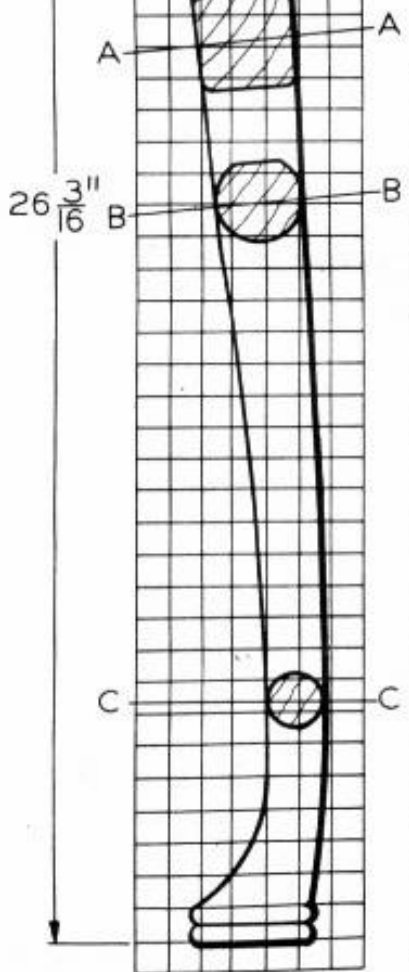
All Rights Reserved



(Photo No. 1)

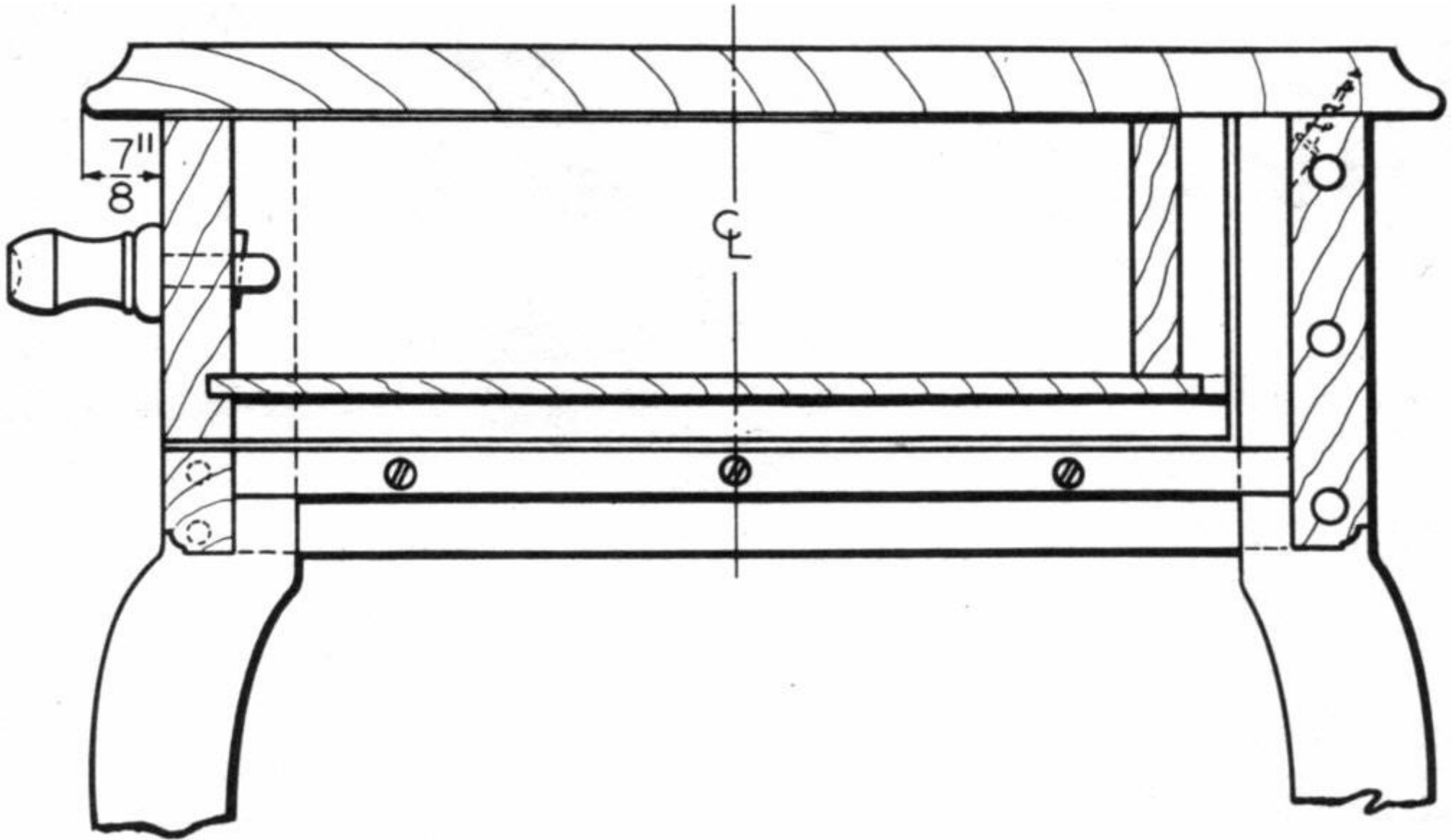


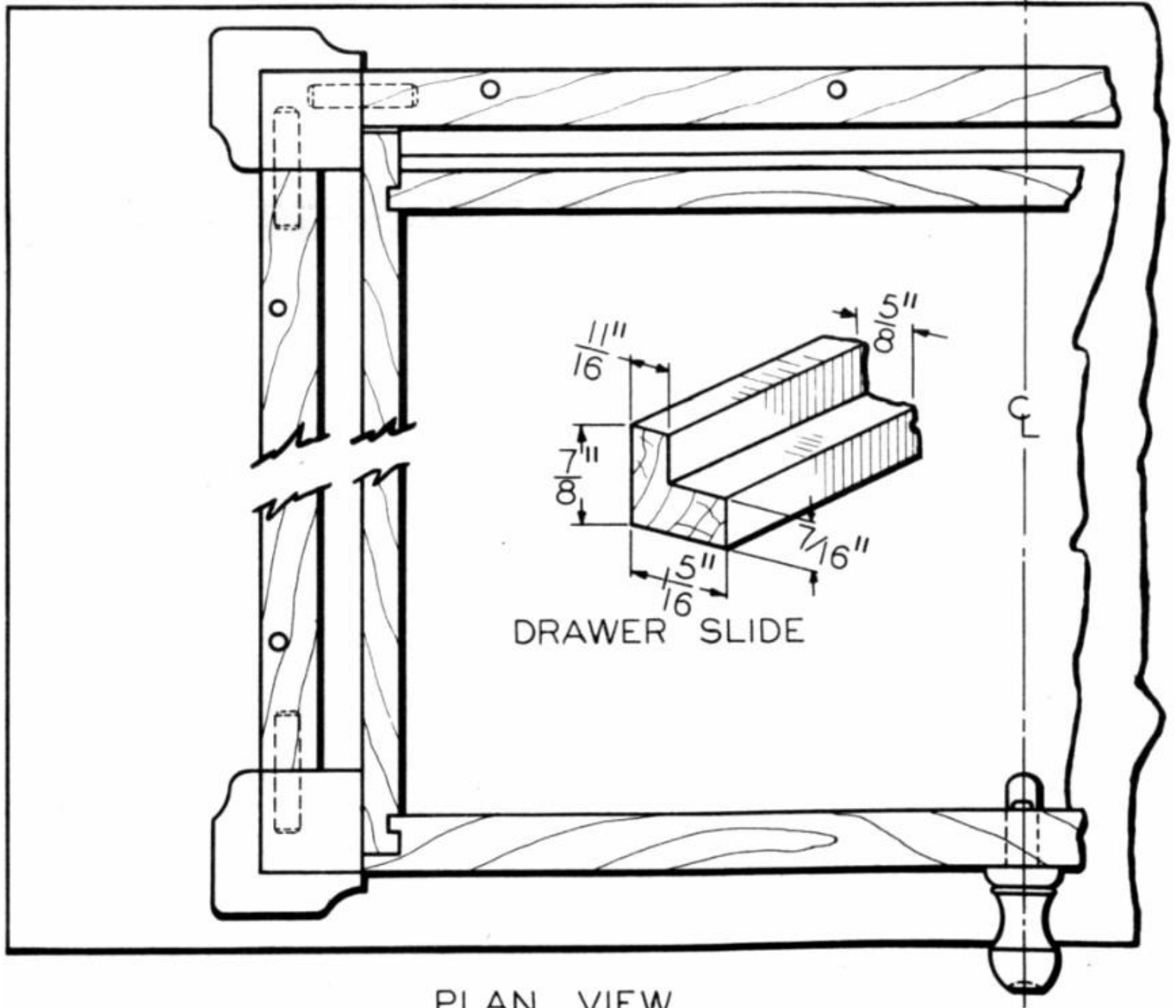
$\frac{1}{2}$ " SQUARES



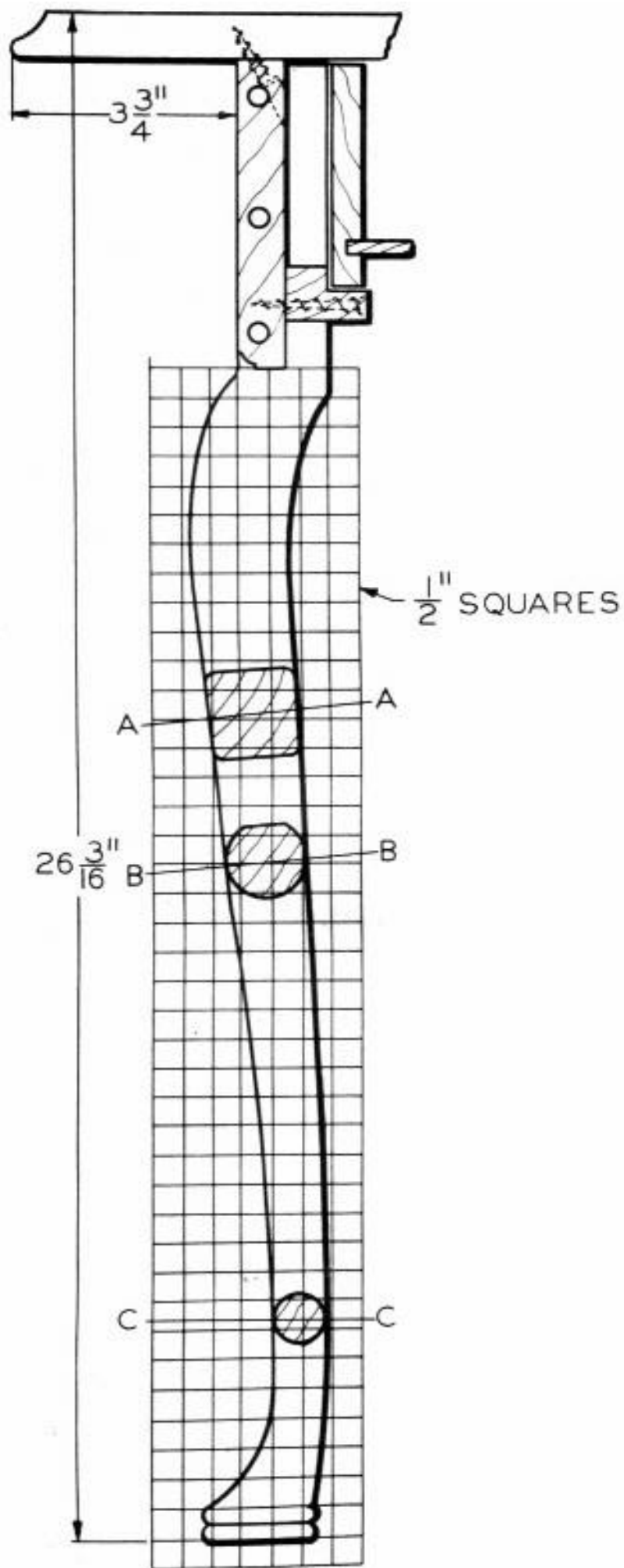
DRAWER SLIDE

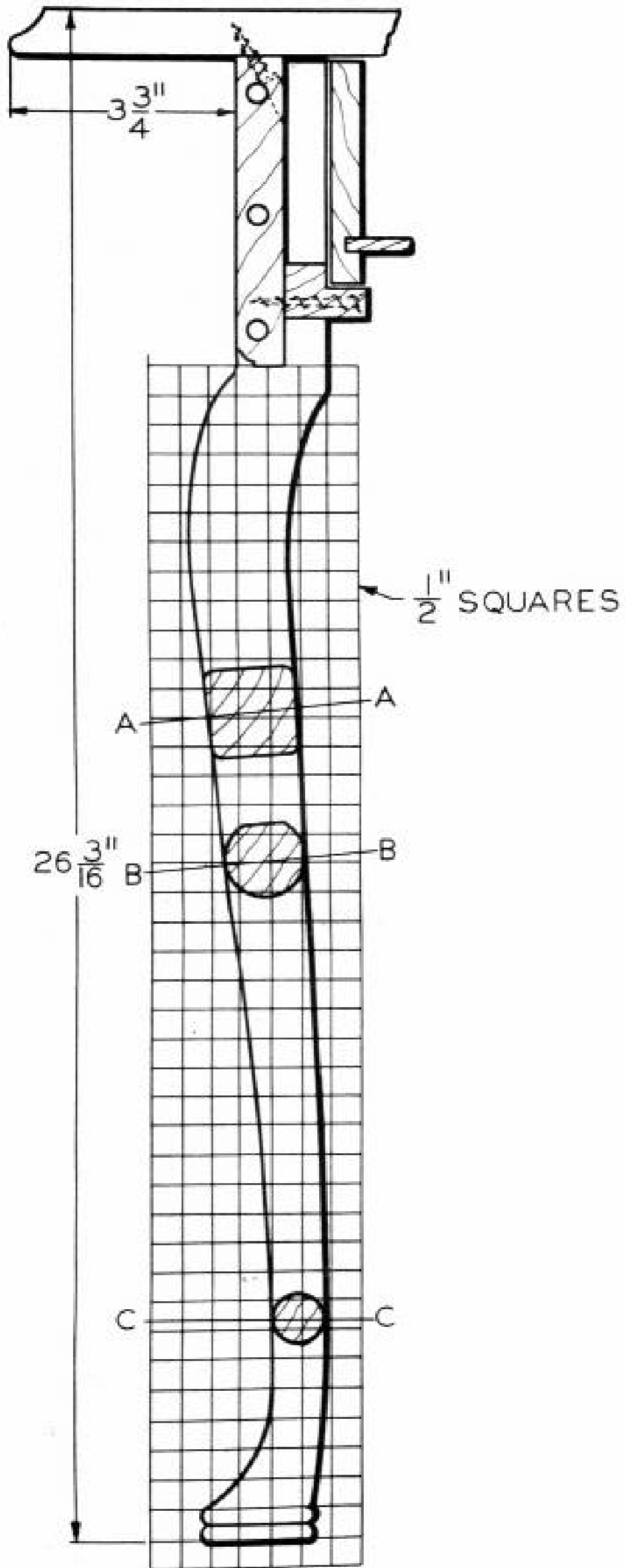
PLAN VIEW





PLAN VIEW





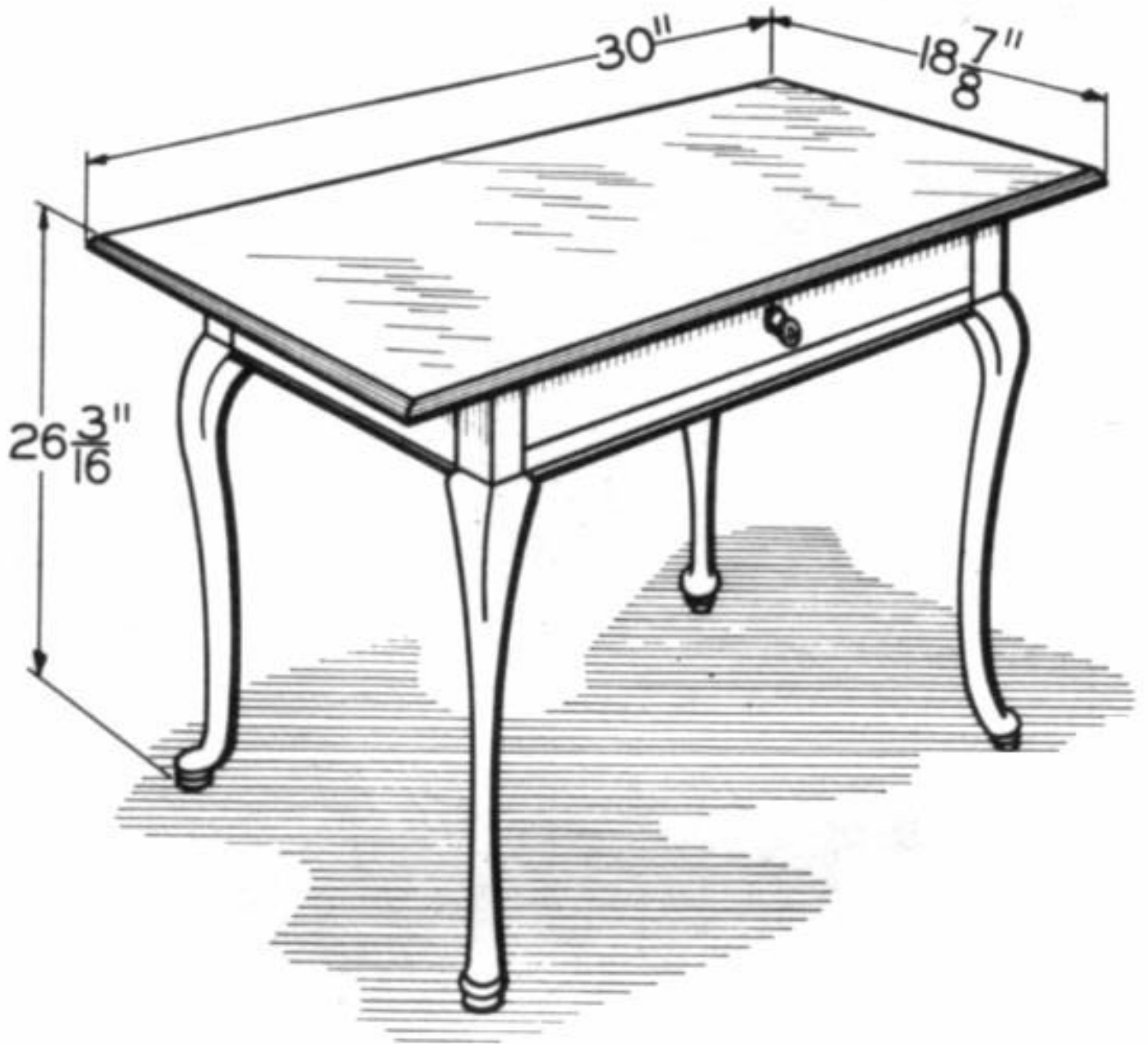
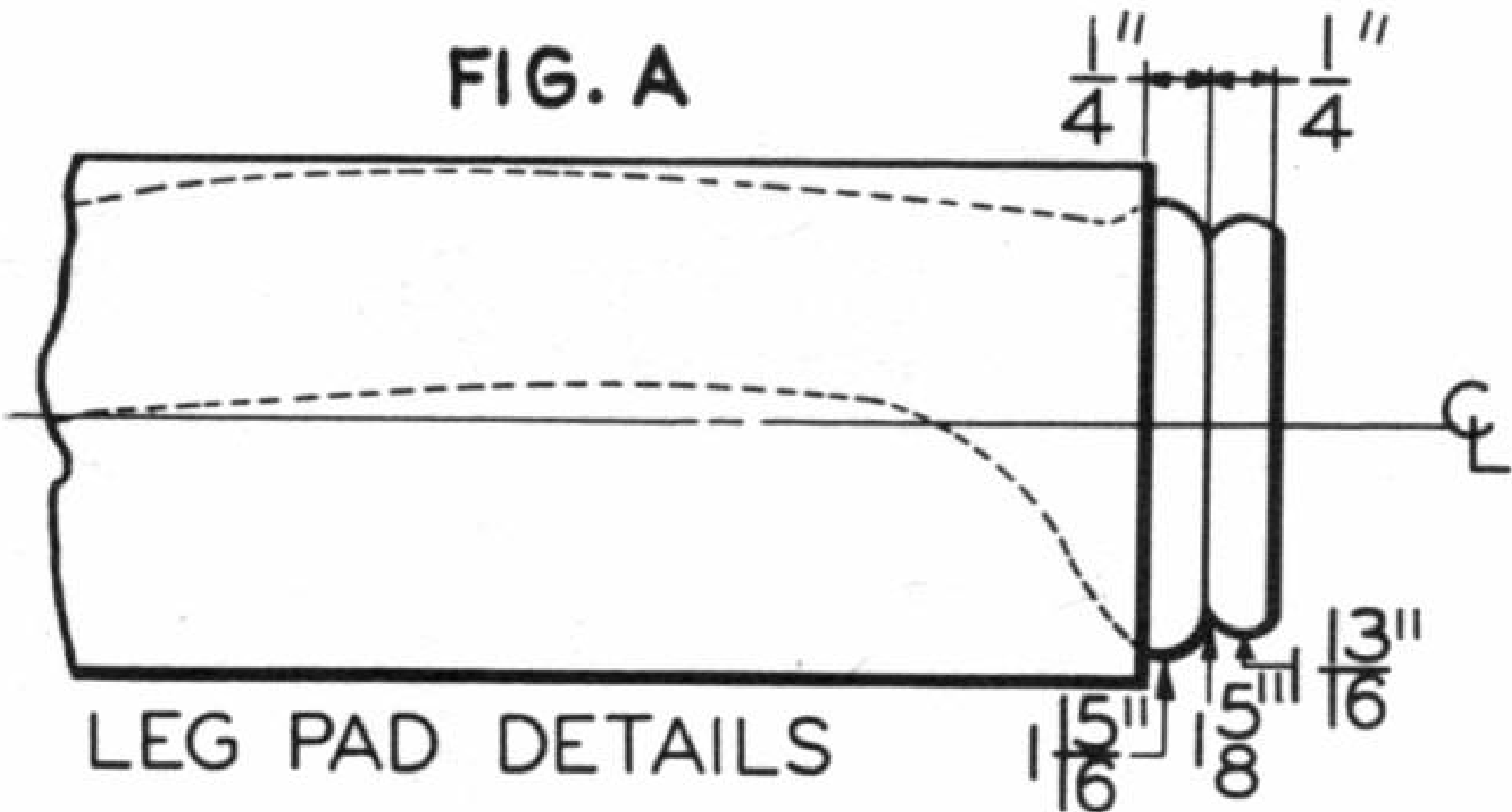


FIG. A



LEG PAD DETAILS

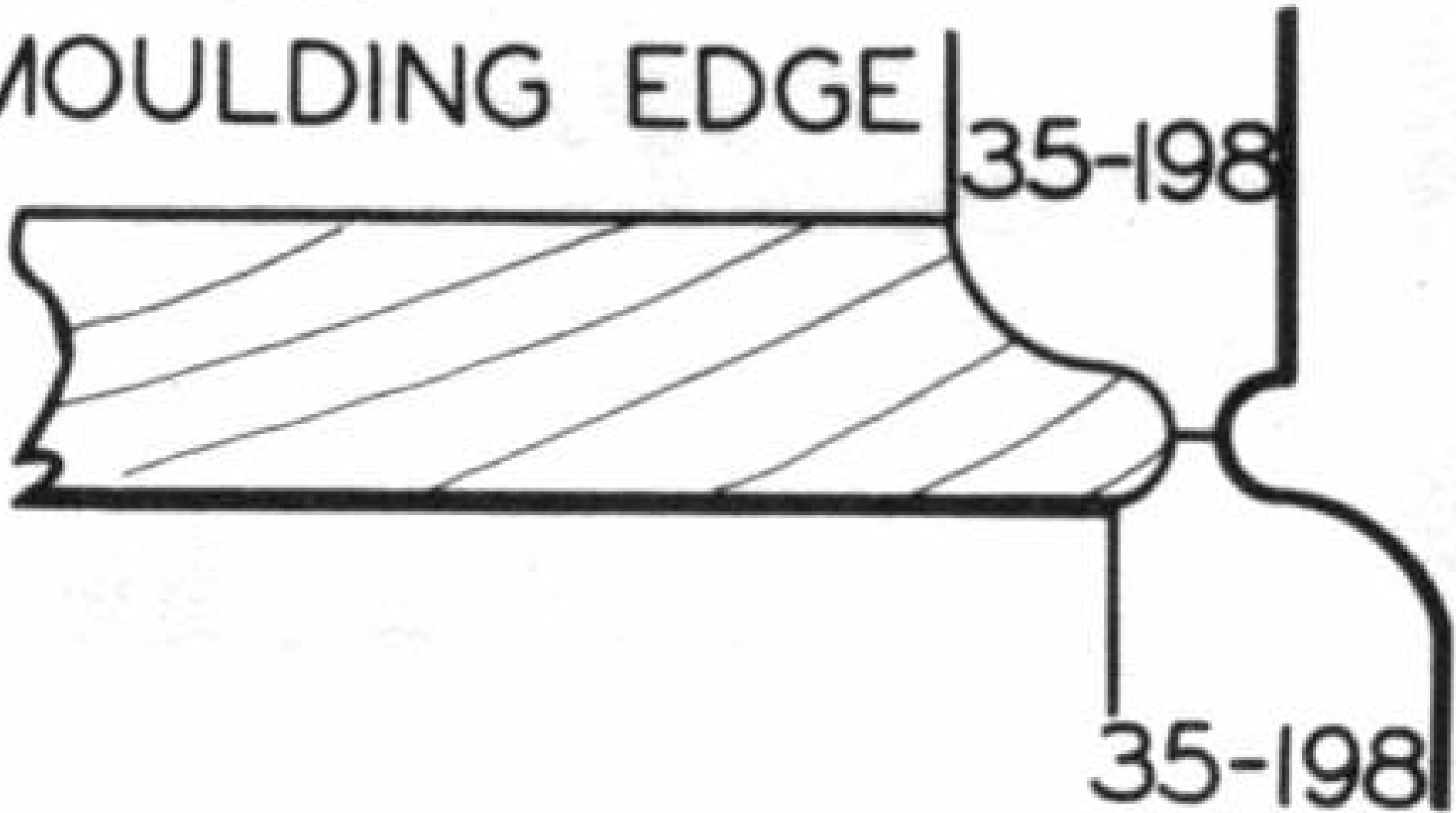


FIG. B
MOULDING ON
SIDE, BACK & FRONT
RAILS

TOP FIG. C

MOULDING EDGE

35-198



35-198

