

*Here is a set of
Project Plans
from*



Copyright © 2004

All Rights Reserved

CUTTING DIAGRAMS

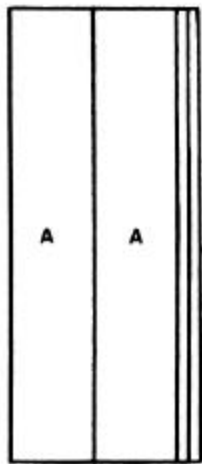


FIG. 1

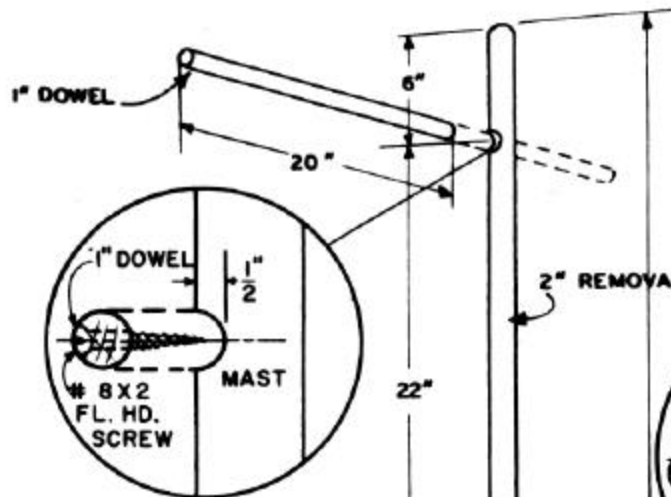
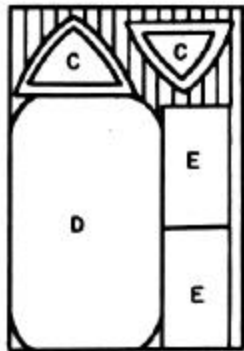
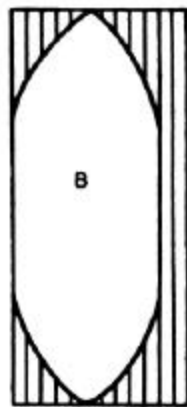


FIG. 2

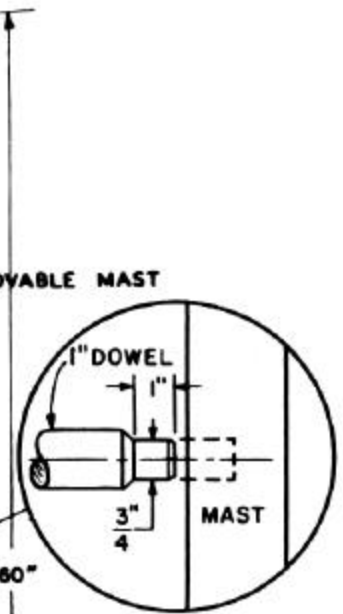


FIG. 3

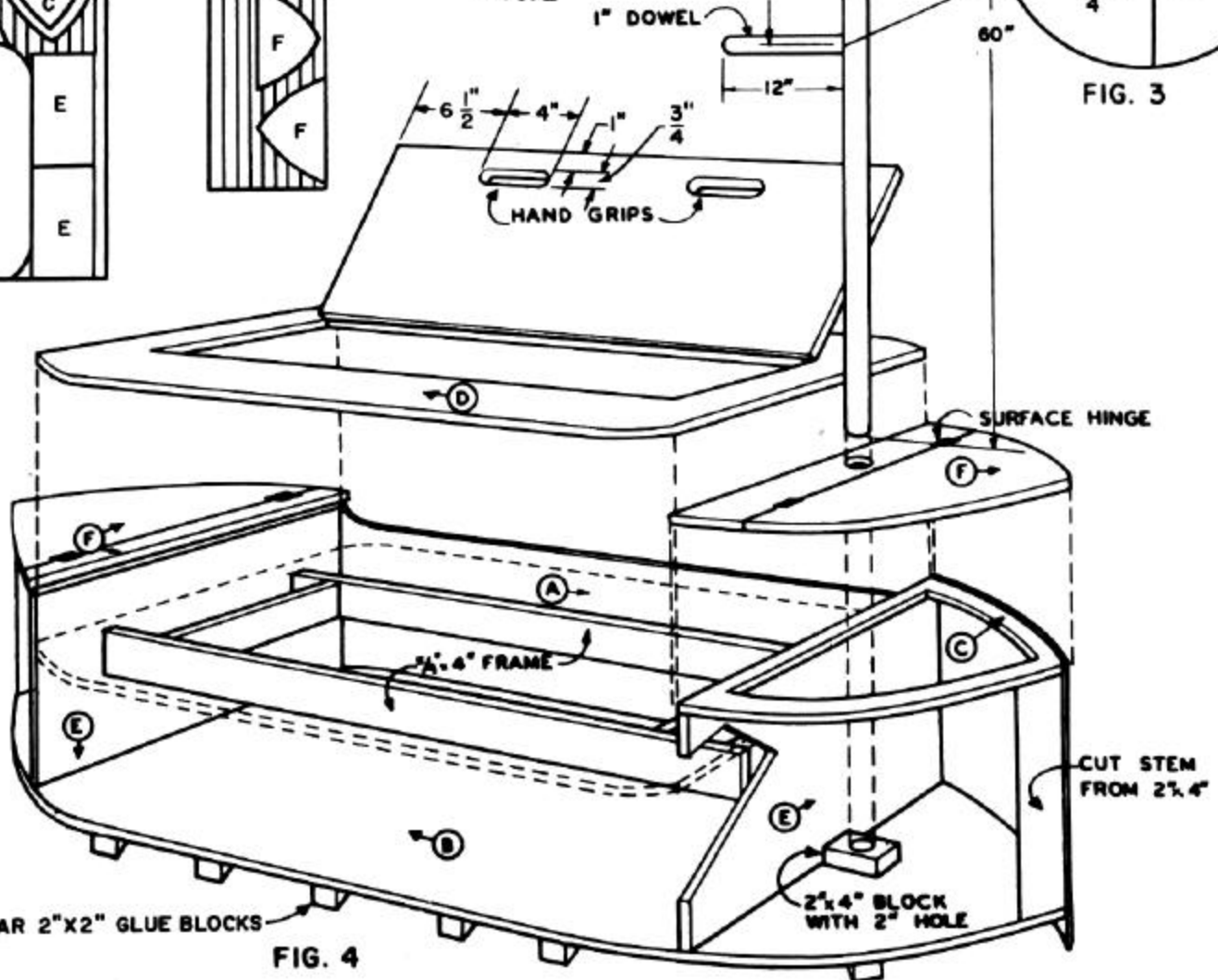
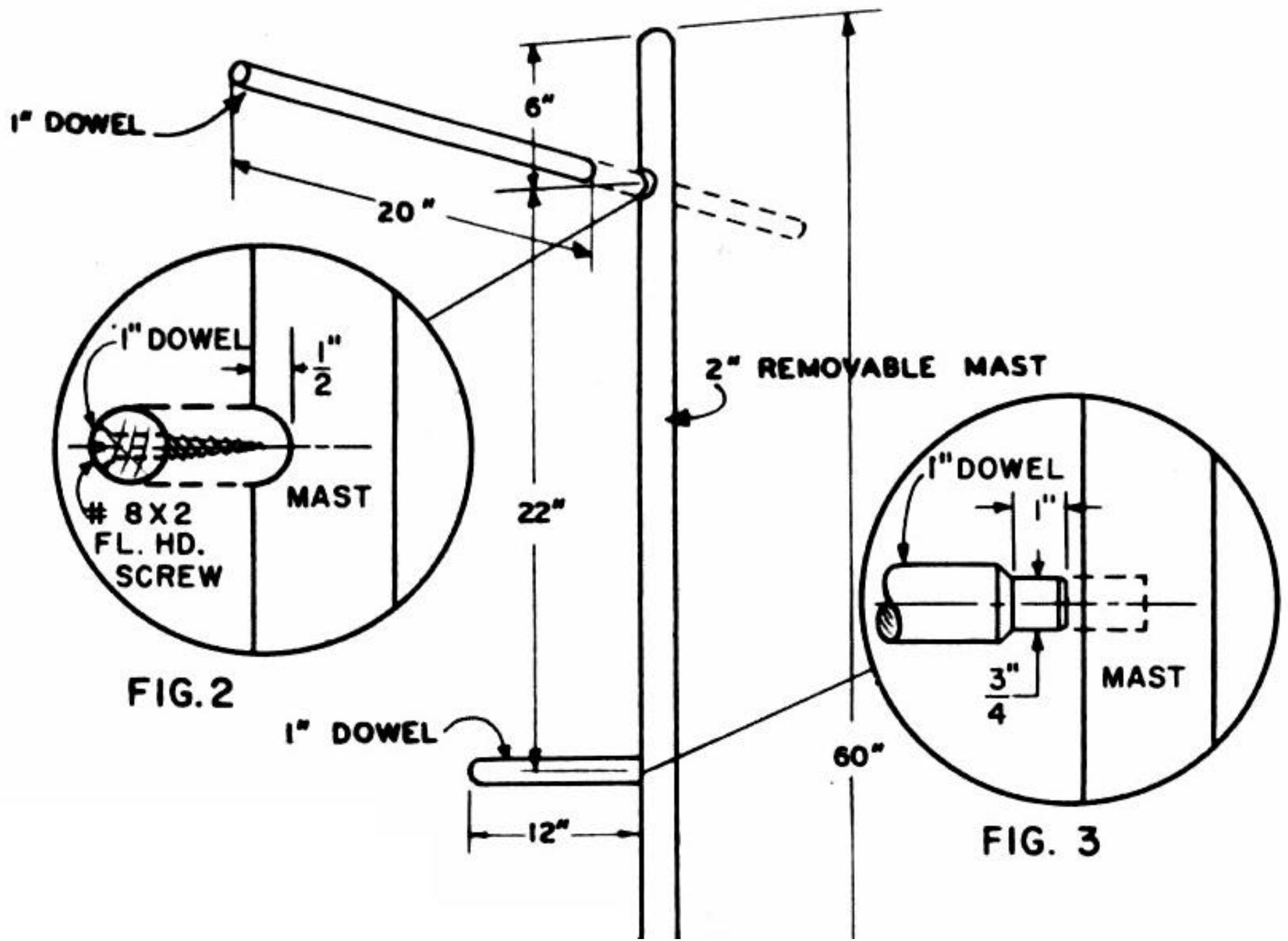


FIG. 4

TRIANGULAR 2"X2" GLUE BLOCKS

2x4" BLOCK WITH 2" HOLE

CUT STEM FROM 2x4"



CUTTING DIAGRAMS

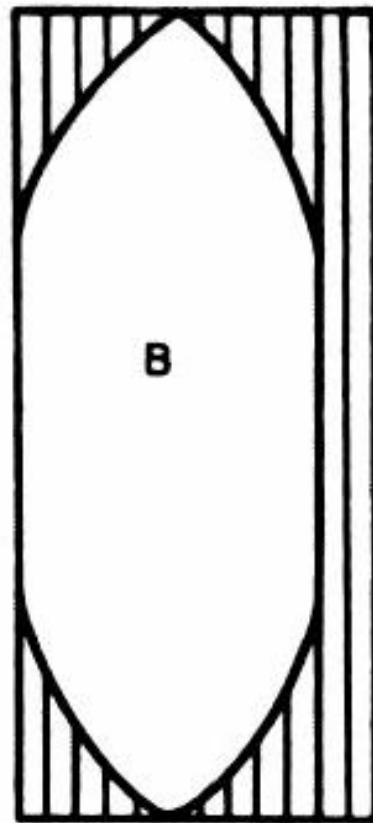
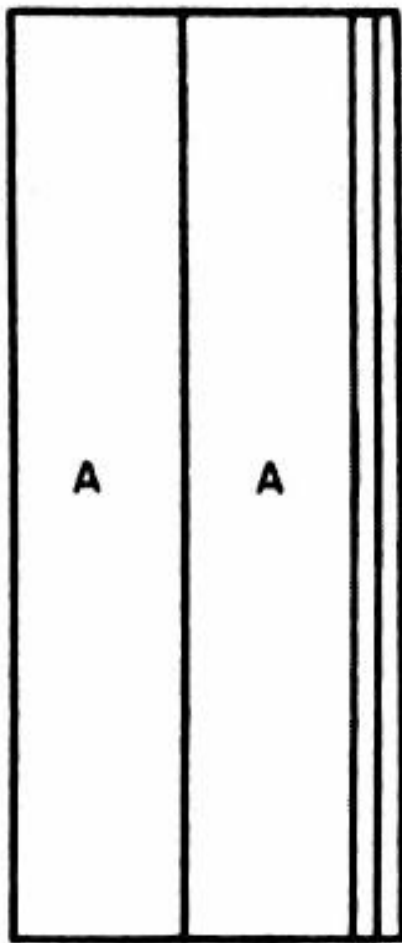
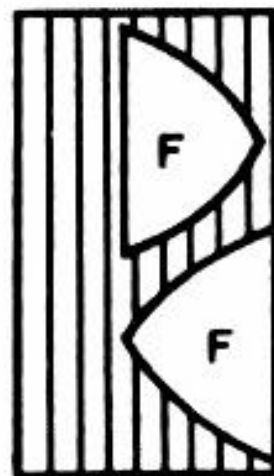
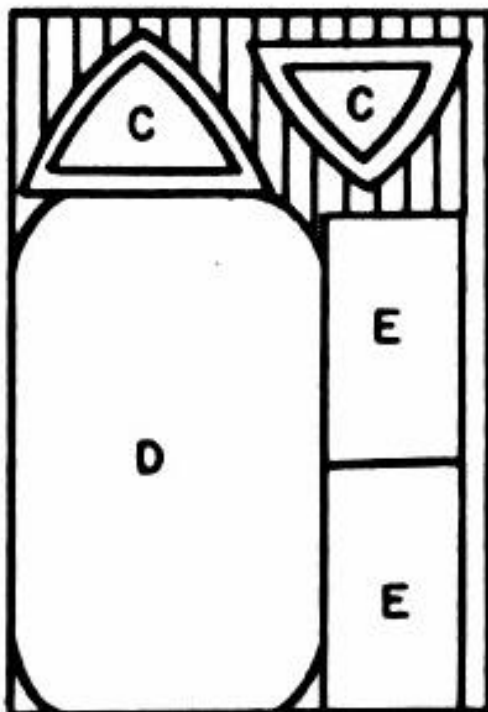
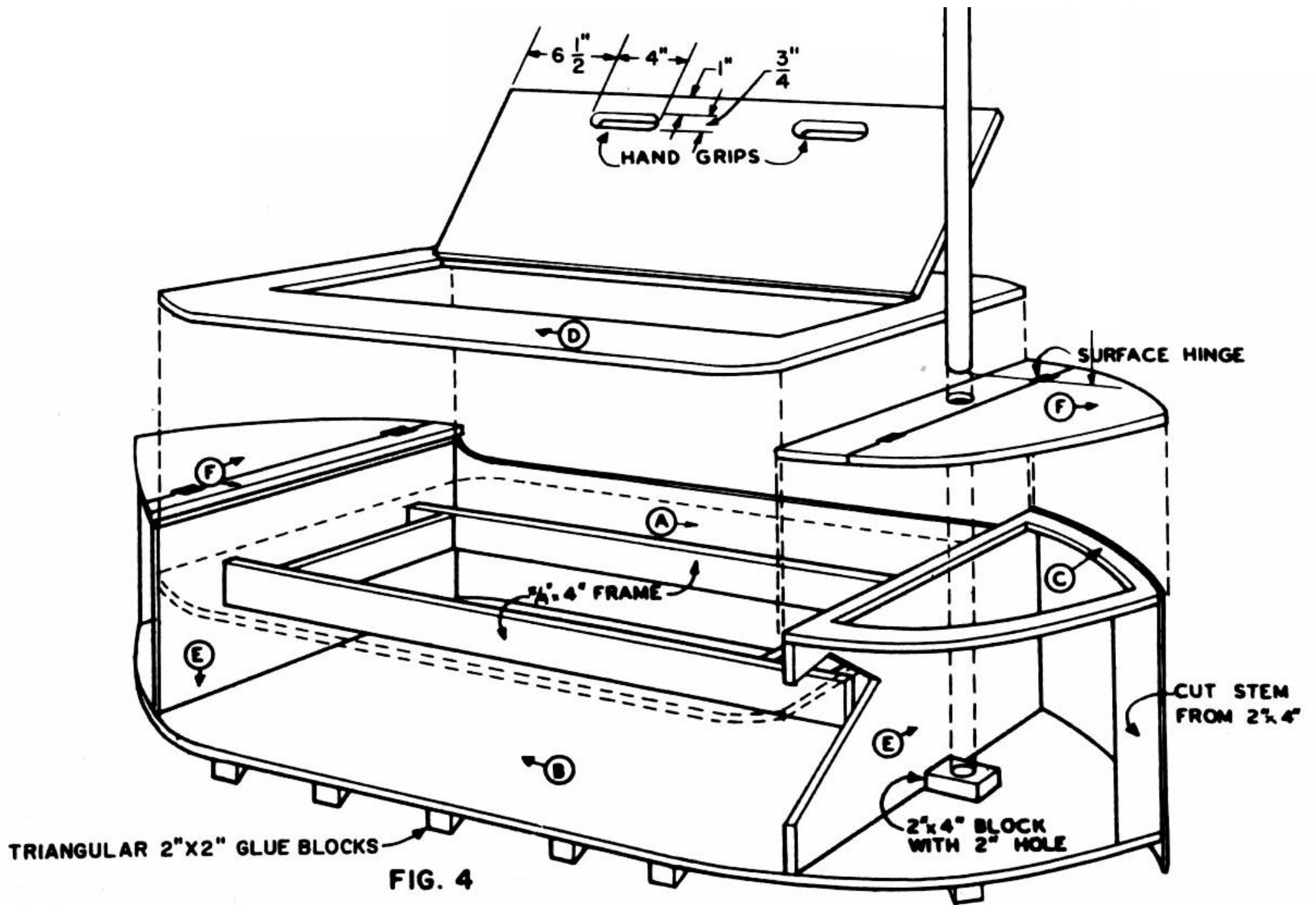
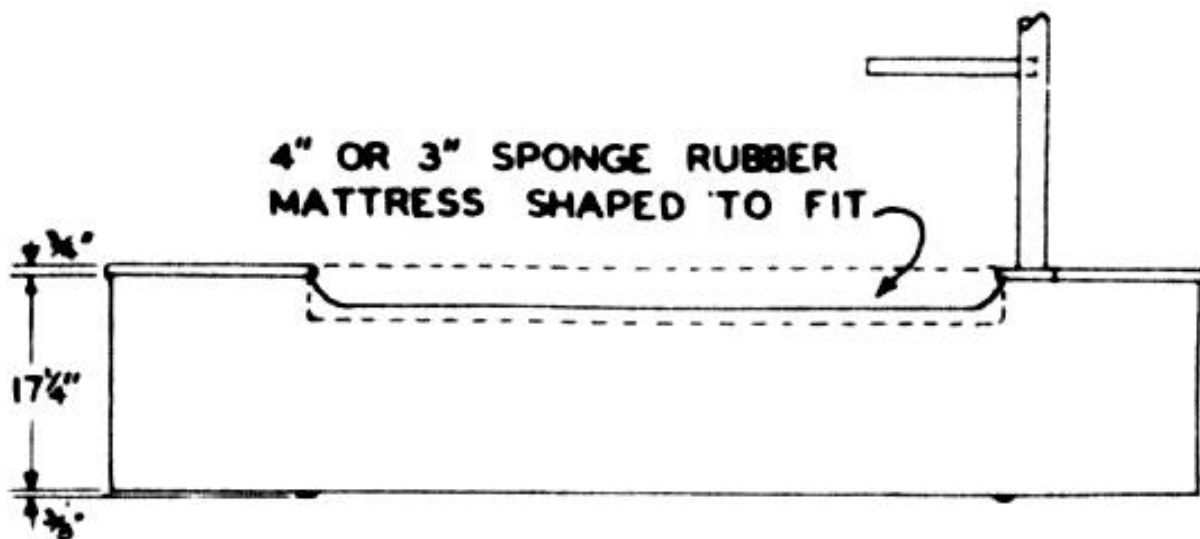


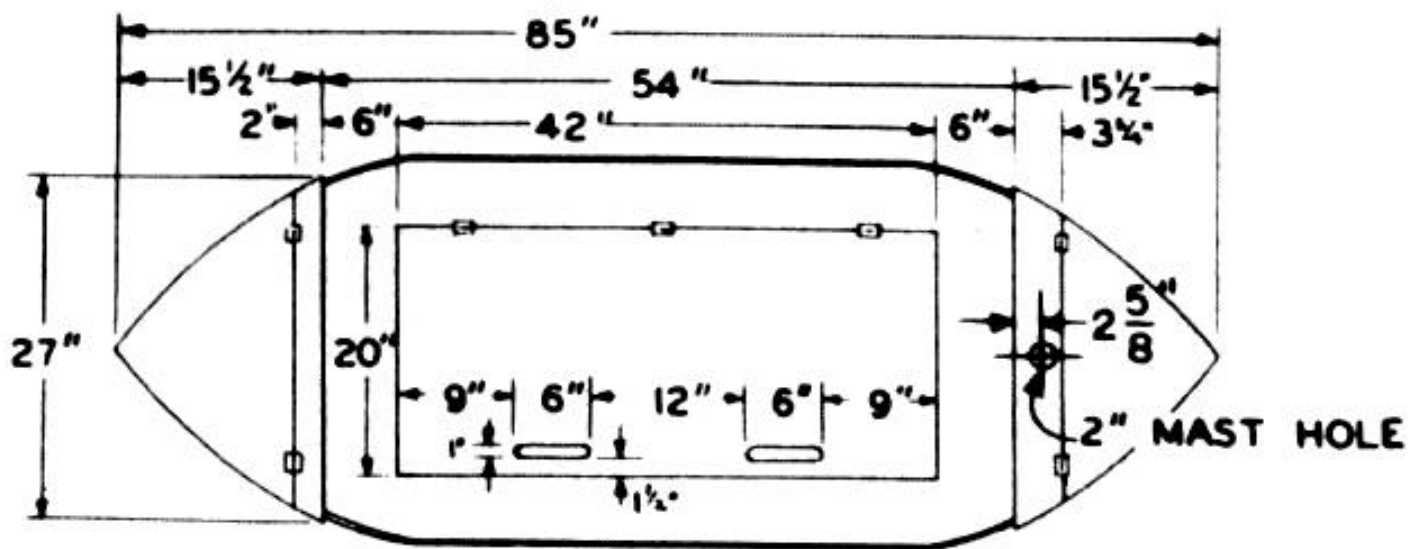
FIG. I



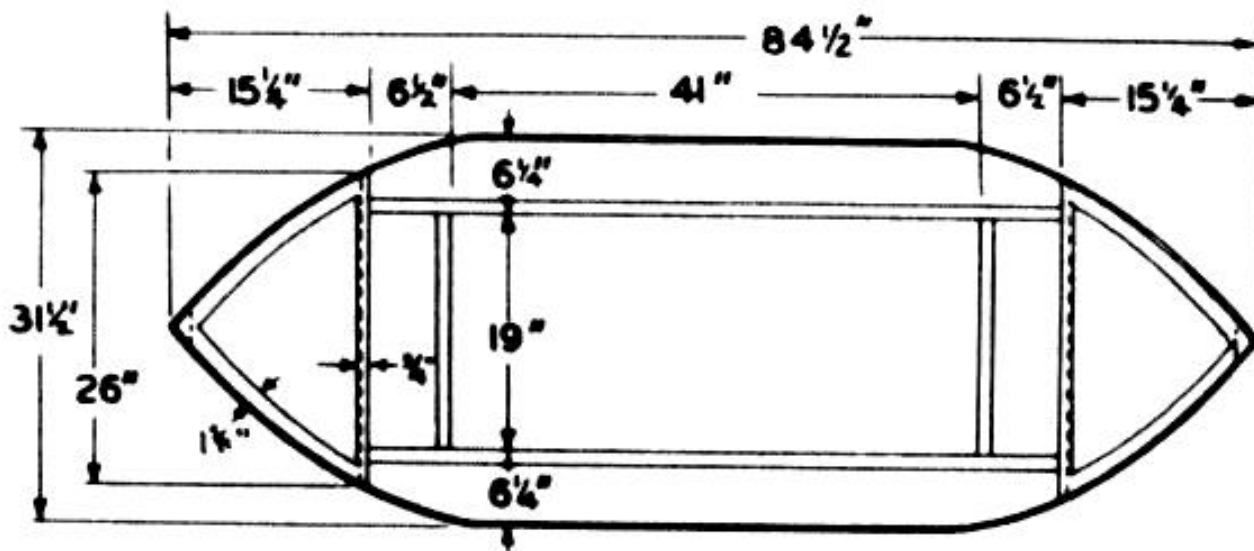




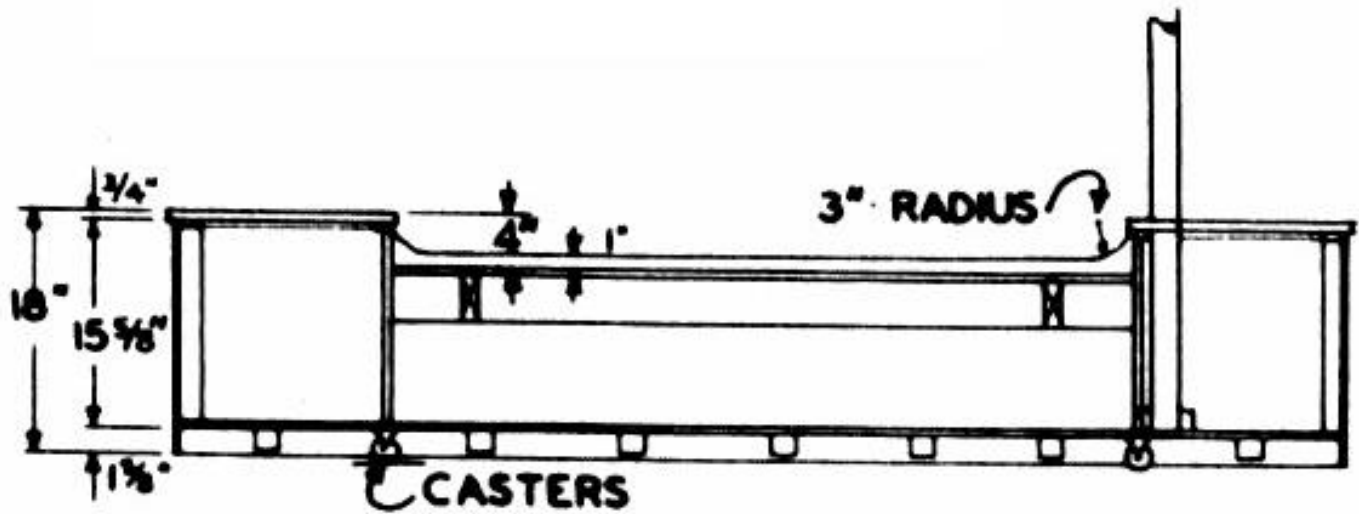
SIDE ELEVATION FIG. 5



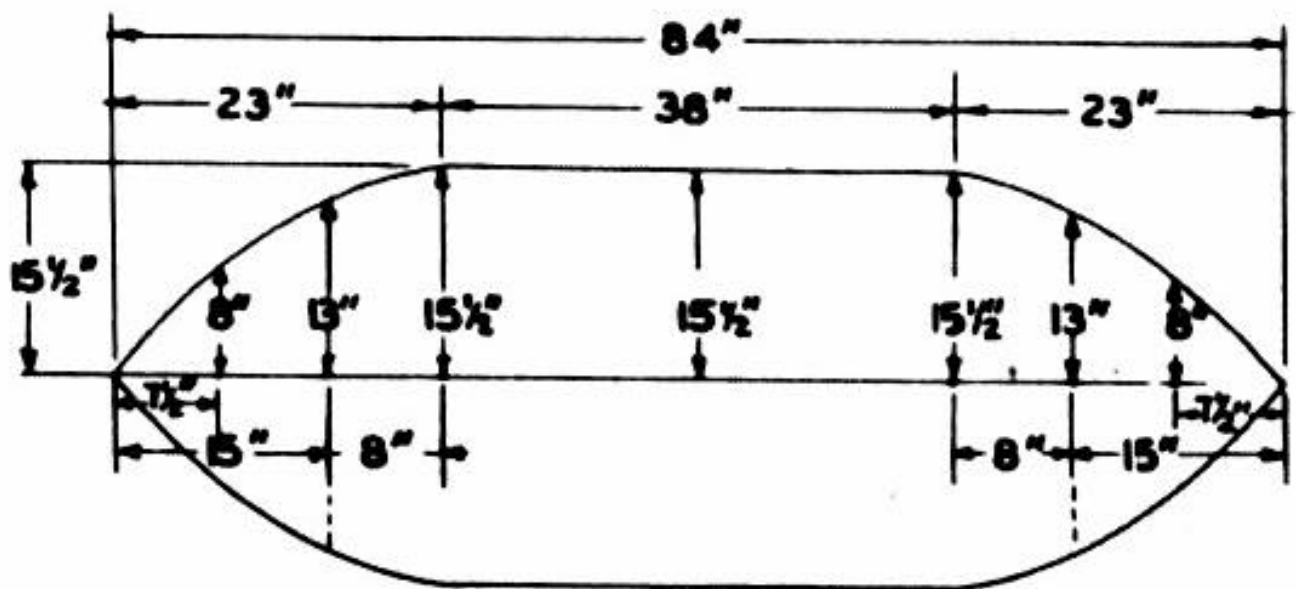
DECK PLAN FIG. 6



FRAMING PLAN FIG. 7



SECTION FIG. 8



CURVE PATTERN FOR B, C. & D FIG. 9
ADD 1/4" TO BOTH SIDES FOR F