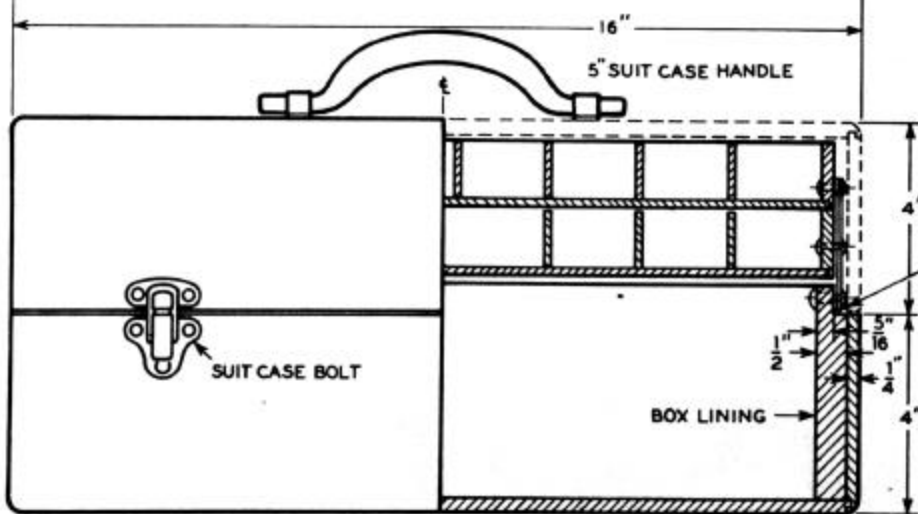


TOP VIEW FIG. 1



FRONT VIEW FIG. 2

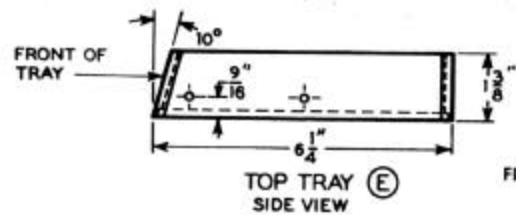


FIG. 3

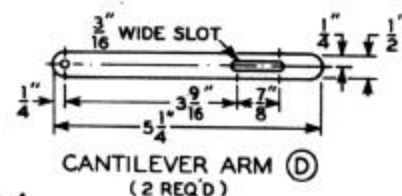
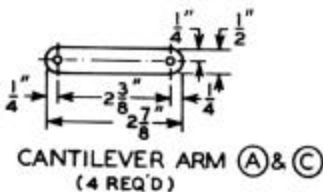
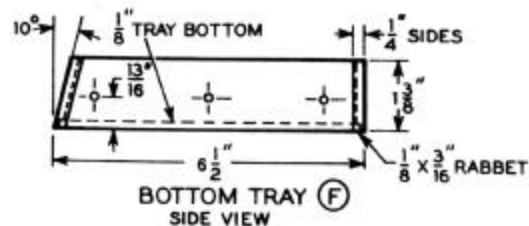


FIG. 4

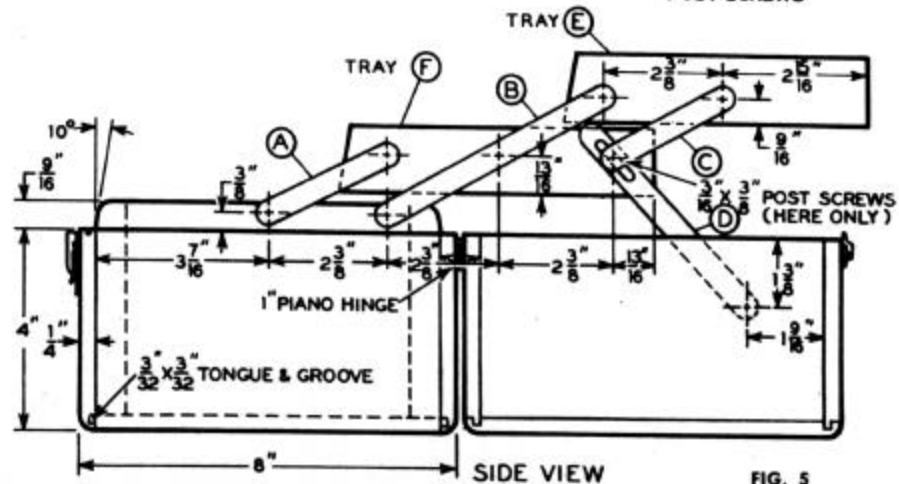
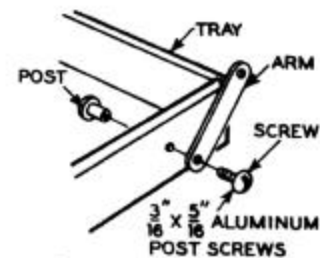
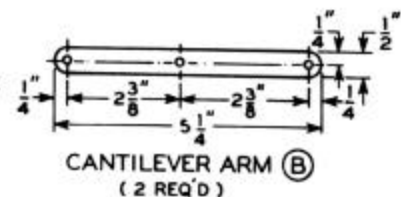
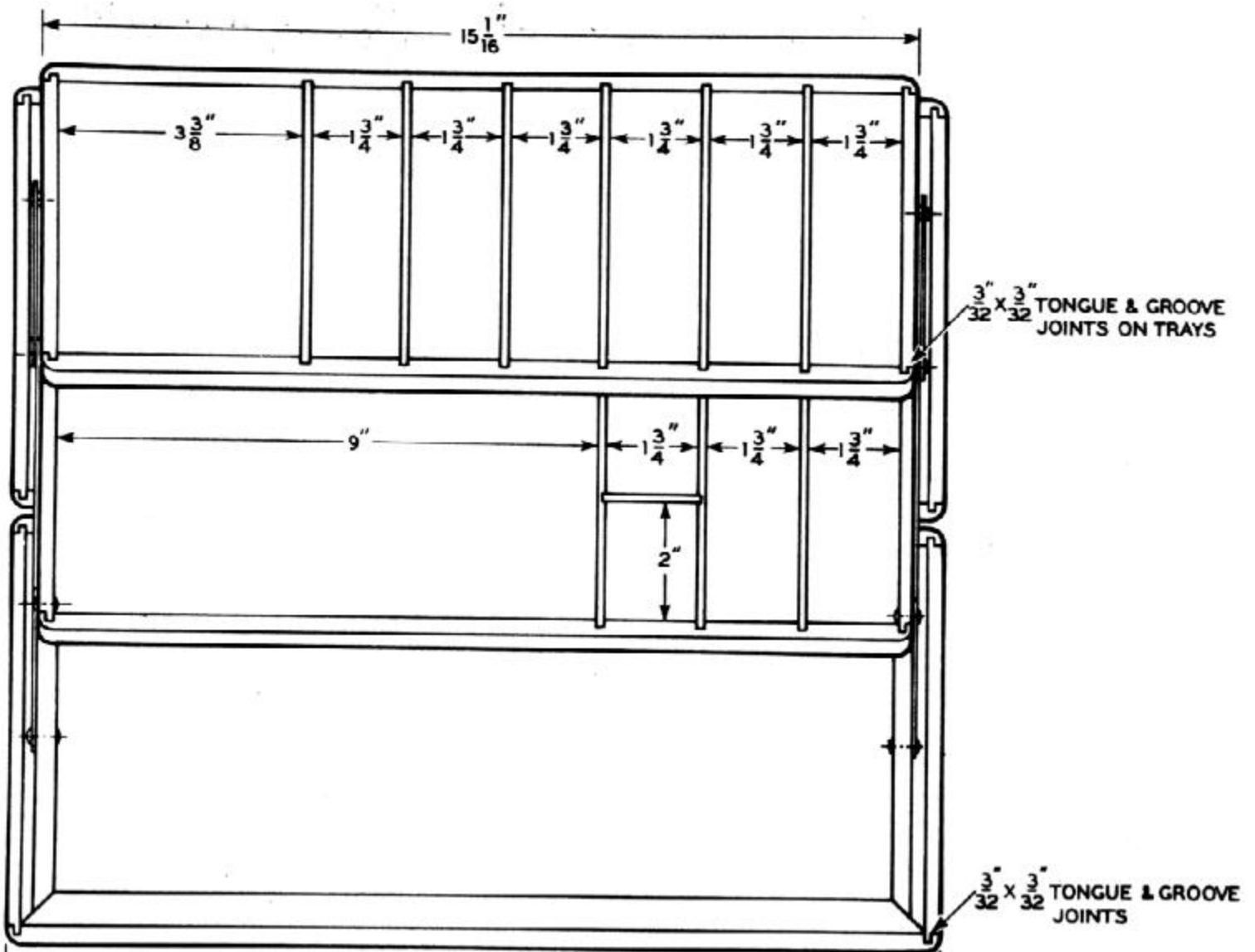
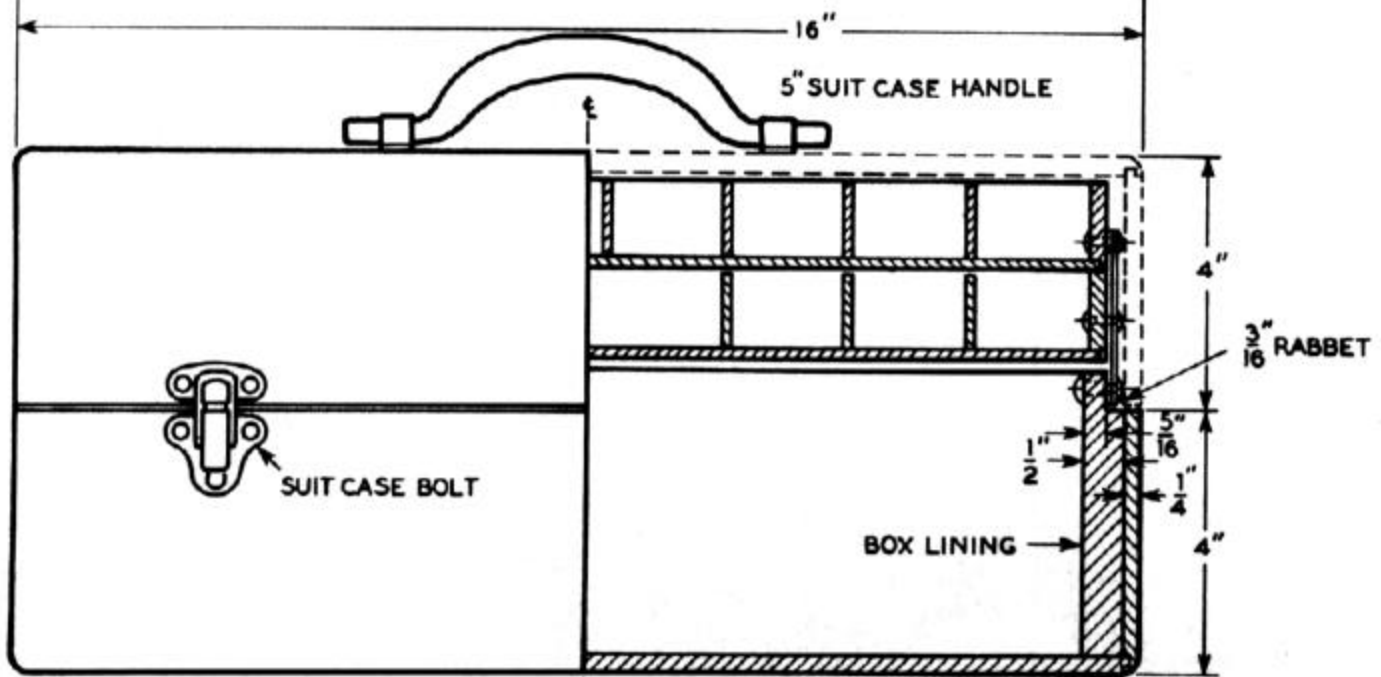


FIG. 5



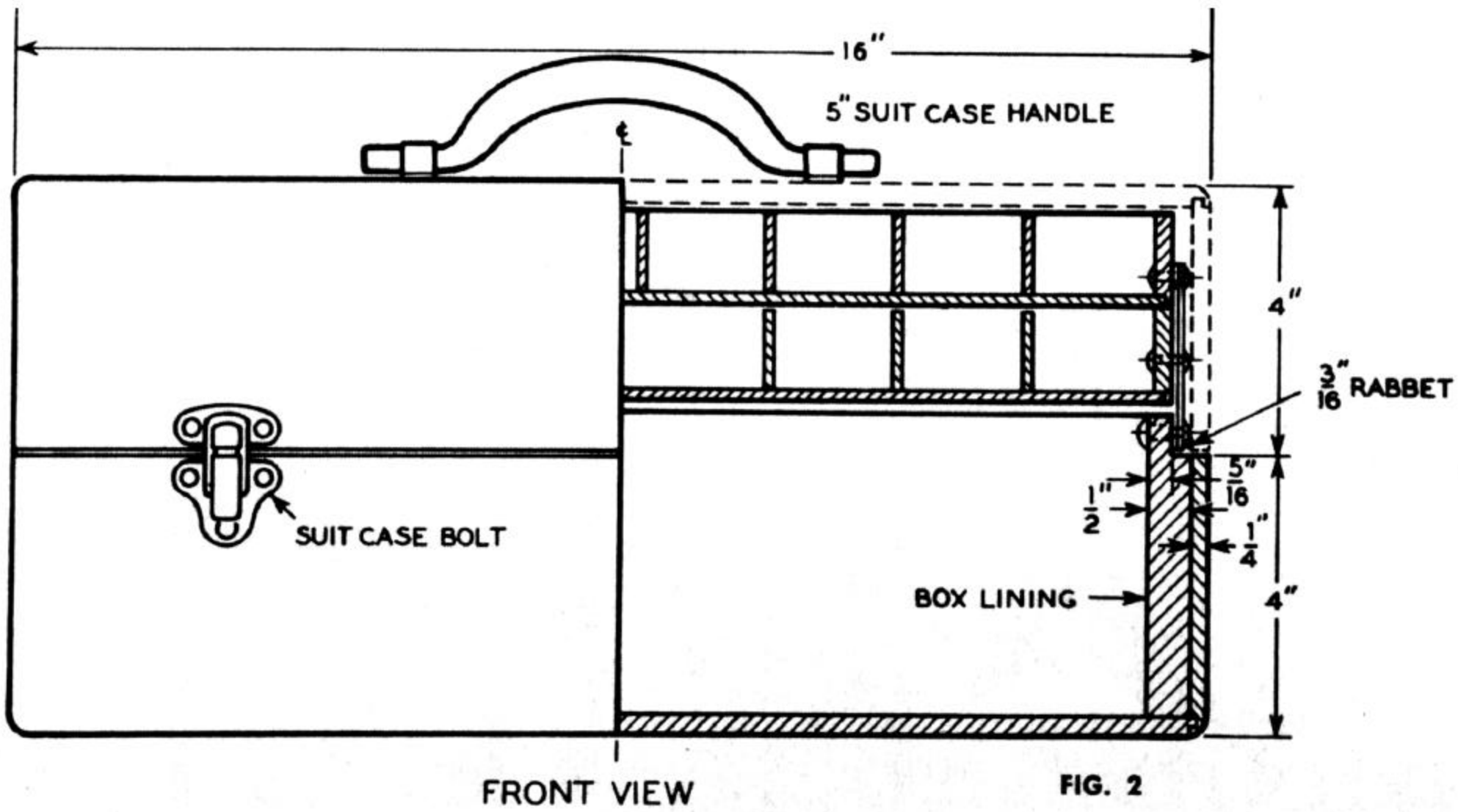
TOP VIEW

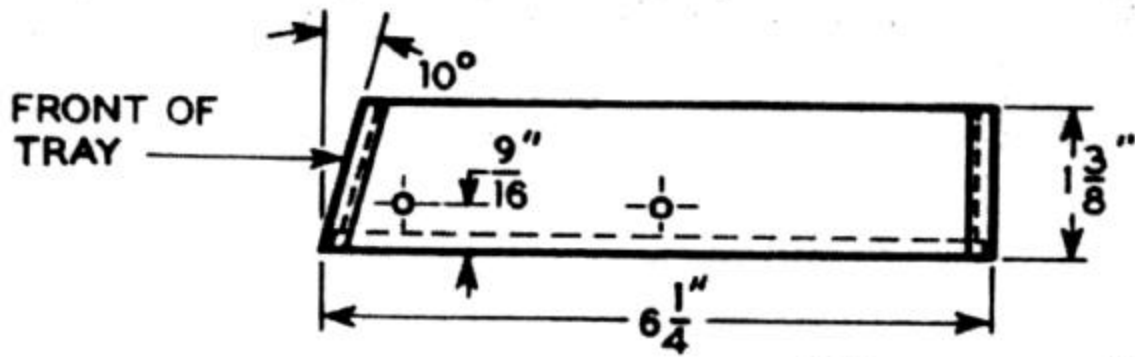
FIG. 1



FRONT VIEW

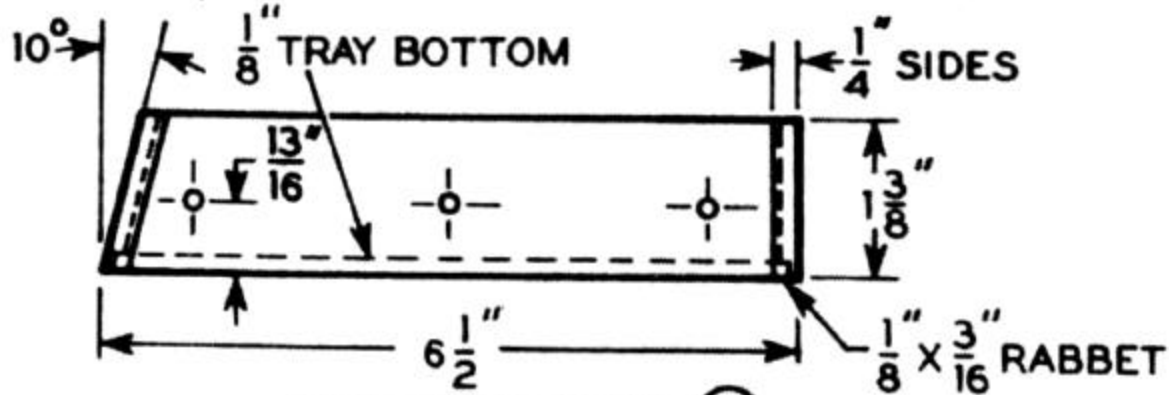
FIG. 2



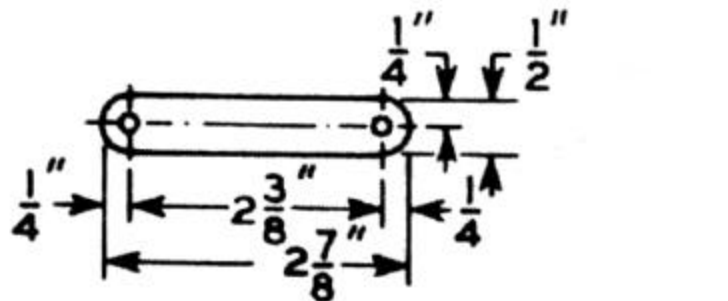


TOP TRAY (E)
SIDE VIEW

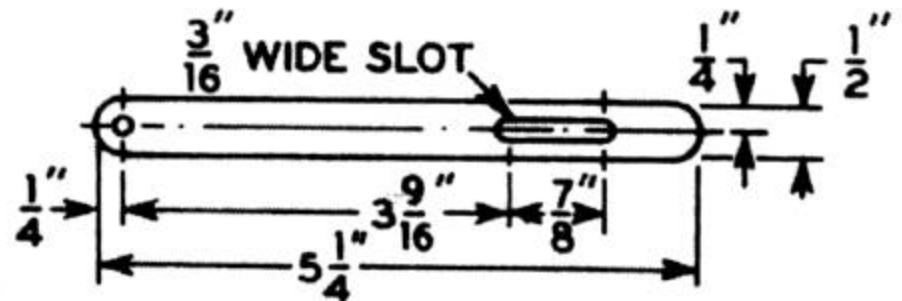
FIG. 3



BOTTOM TRAY (F)
SIDE VIEW



CANTILEVER ARM (A) & (C)
(4 REQ'D)



CANTILEVER ARM (D)
(2 REQ'D)

FIG. 4

