

*Here is a set of
Project Plans
from*



Trademark Pending

©All Rights Reserved

Cookie Jar

Tools Required:

- Router
- Router Guide or Router Table
- Router Bits:
 - 1/4-in. Straight Bit
 - 3/8-in. Bead/Corner Round Bit
 - 1/2-in. Straight Bit (Optional)
 - 1/4-in. Bead/Corner Round Bit (Optional)
- Arbor and Pilot Set
- Table Saw or Circular Saw or Hand Saw
- Hand Drill or Drill Press
- 13/64-in. Drill Bit
- (4) Clamps 8-in. or longer

Other:

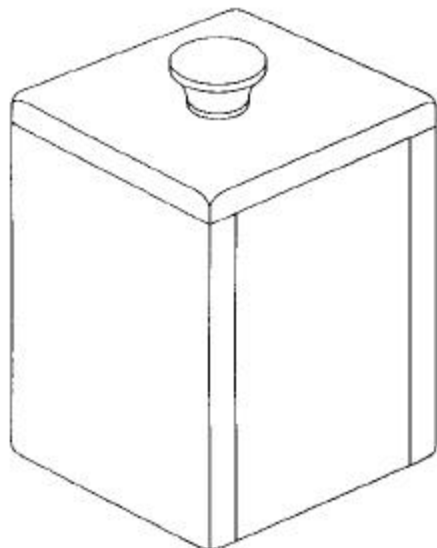
- Square
- Tape Measure
- Sandpaper (120 grit)
- Wood Glue
- Pencil

Dimensions and Material List:

- (1) Piece Wood 3/4-in. thickness X 5-1/2-in. wide X 48-in. long (Dim. Lumber 1-in. X 6-in. X 48-in.)
- (1) Decorative knob

NOTE: As with all routing operations make several passes to produce finished depth and always make practice cuts on a scrap piece of wood.

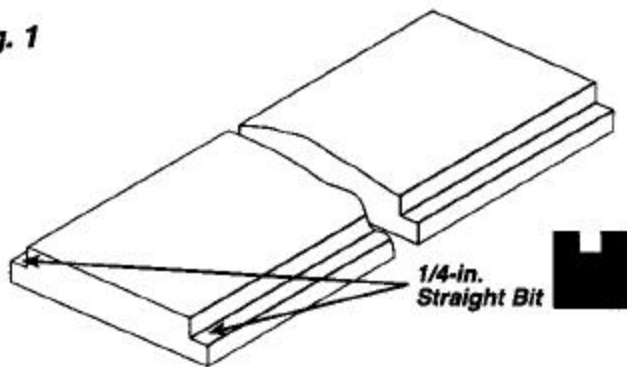
STEP 1: Cut a piece of the 3/4-in. X 5-1/2-in. X 48-in. to 30-in. in length. This will become the (4) sides.



STEP 2: Cutting a 3/8-in. rabbet, using the 1/4-in. straight bit, router table or router with guide, router the full length of the wood on both long edges—3/8-in. wide X 3/8-in deep. See Figure 1

NOTE: Two passes are required (i.e. make a 1/4-in. cut...move guide over 1/8-in. make final cut.

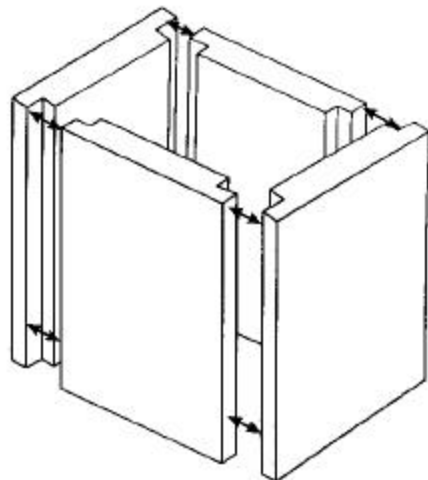
Fig. 1



STEP 3: Cut off (4) equal pieces of the 30-in. piece...7-1/4-in. long.

STEP 4: Glue the clamp the (4) sides together to form the box. Allow to dry. See Figure 2

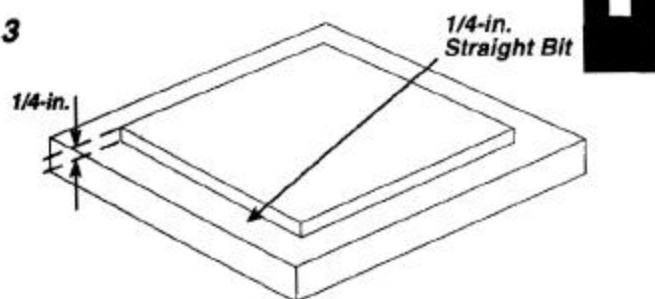
Fig. 2



STEP 5: With the remaining wood, cut (1) lid and (1) bottom piece...5-1/2-in. X 6-1/4-in.

STEP 6: Using the 1/4-in. straight bit, router table or router guide, router a 3/4-in. rabbet cut 1/4-in. deep around the perimeter of the inside surface only. This forms a gluing joint for the bottom and a snug fitting lid. See Figure 3

Fig. 3



STEP 7: Glue and clamp bottom to box and allow to dry. See Figure 4

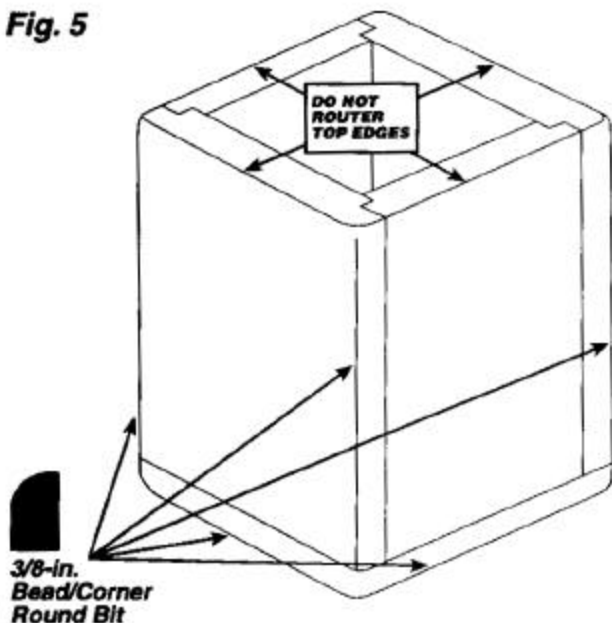
Fig. 4



STEP 8: Using the 3/8-in. bead/corner round bit router the long edges of box and bottom. See Figure 5

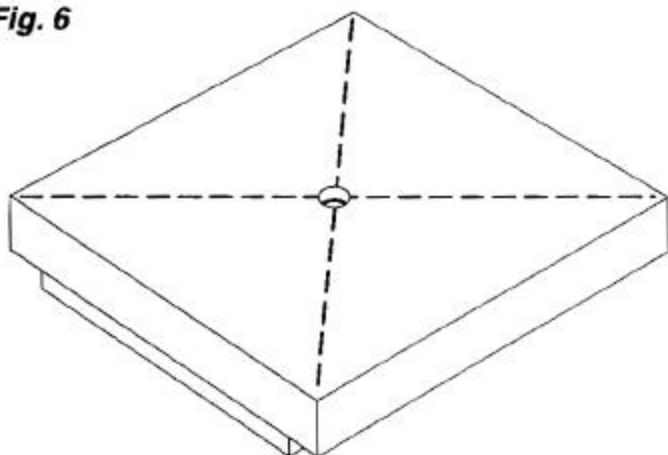
NOTE: Do NOT router the top edge of box where the lid will fit...bottom side of lid and top edge of box will meet flush.

Fig. 5



STEP 9: Using a straight edge mark corner to corner of top (Figure 6). This will find the center for the knob screw hole. Drill completely through with the 13/64-in. drill bit (Figure 6).

Fig. 6



STEP 10: Using the 3/8-in. bead/corner round bit router along the outside edges and corners ONLY of the top of the lid (Figure 7).

NOTE: Do NOT router the underneath side of lid that will match the sides of the box when lid is fitted.

STEP 11: Fit lid on top. Sand all components as one piece to blend all edges.

STEP 12: Finish as desired and screw knob on top.

Fig. 7

