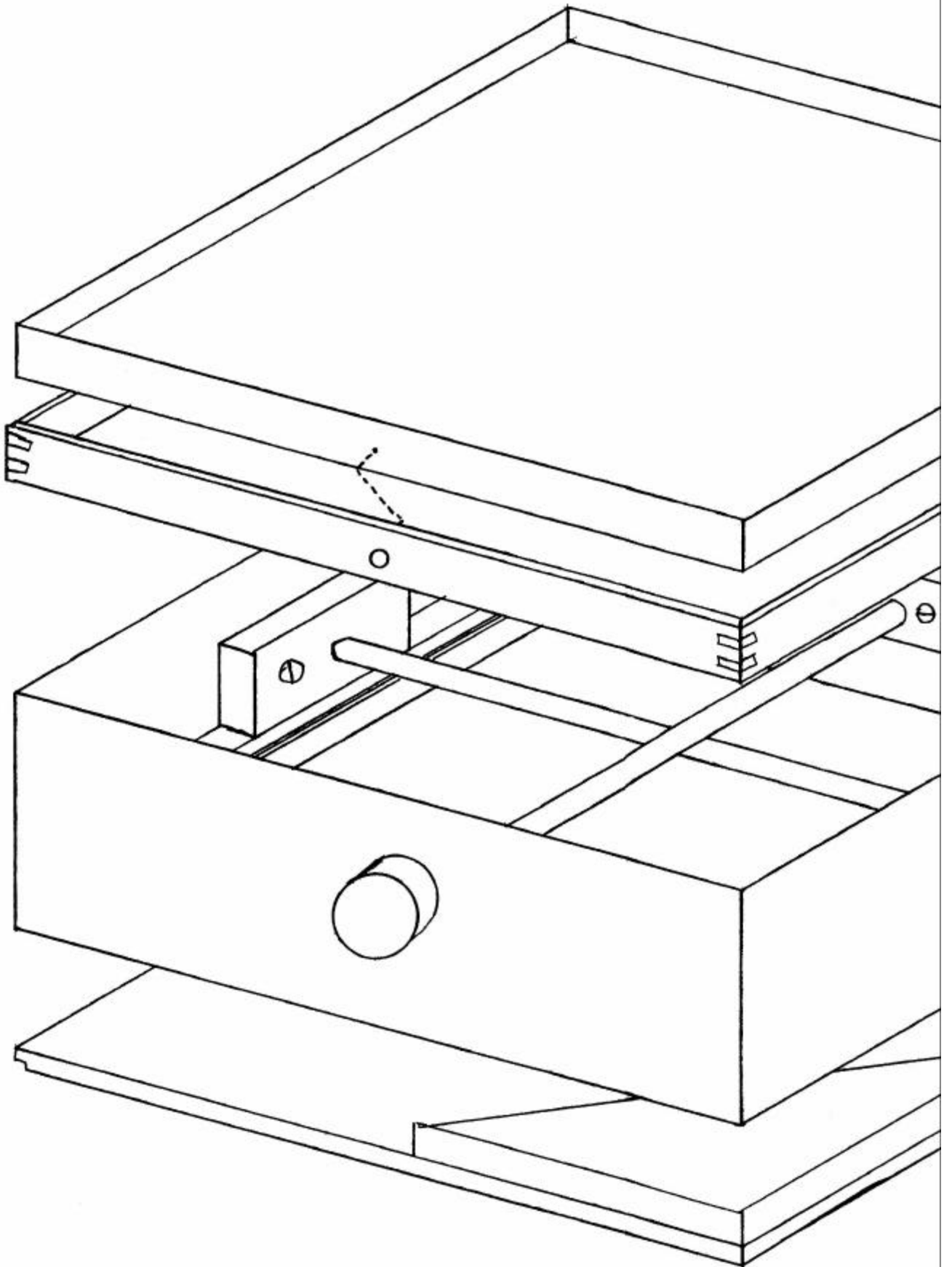
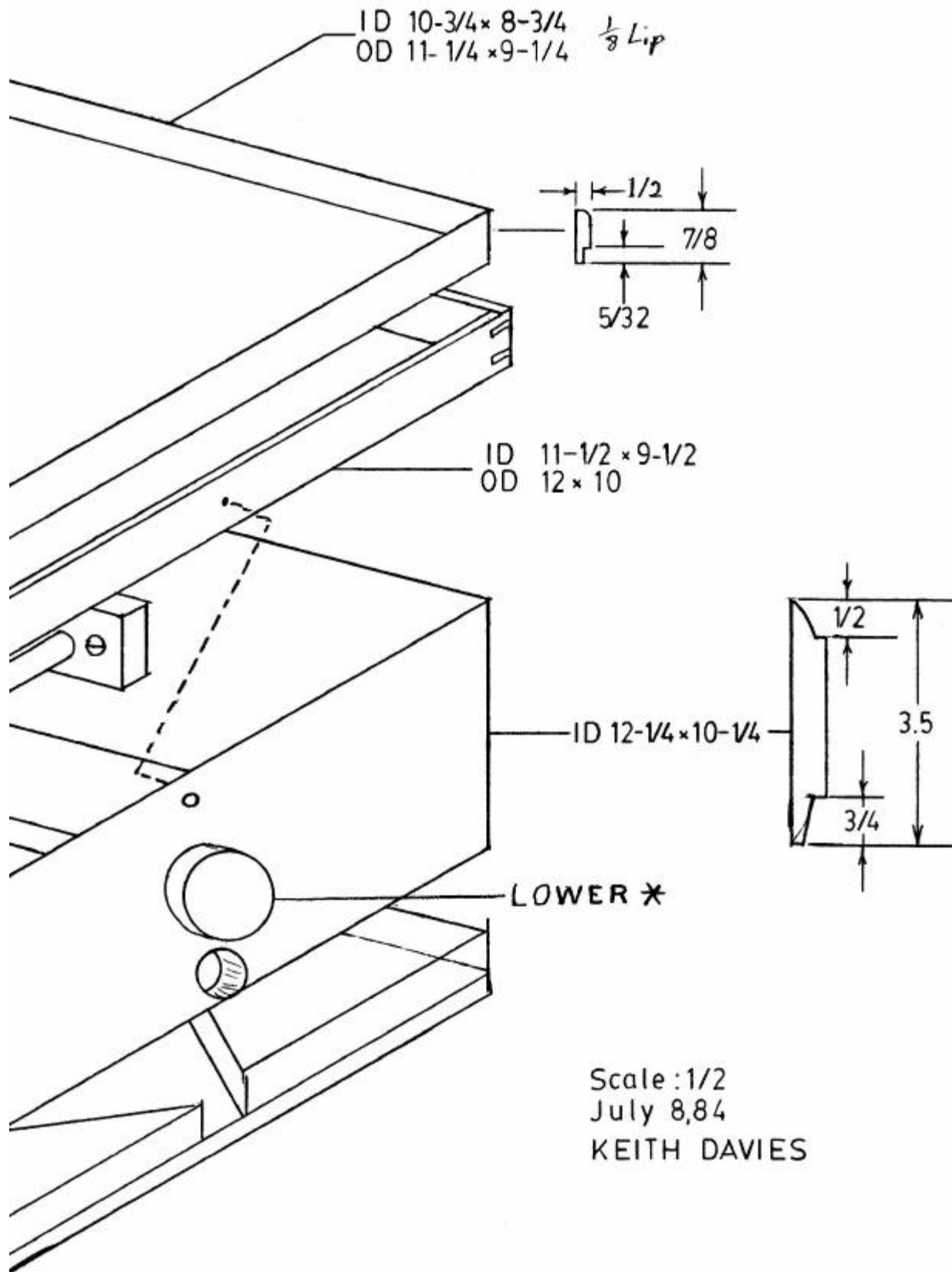


# LABRINTSP

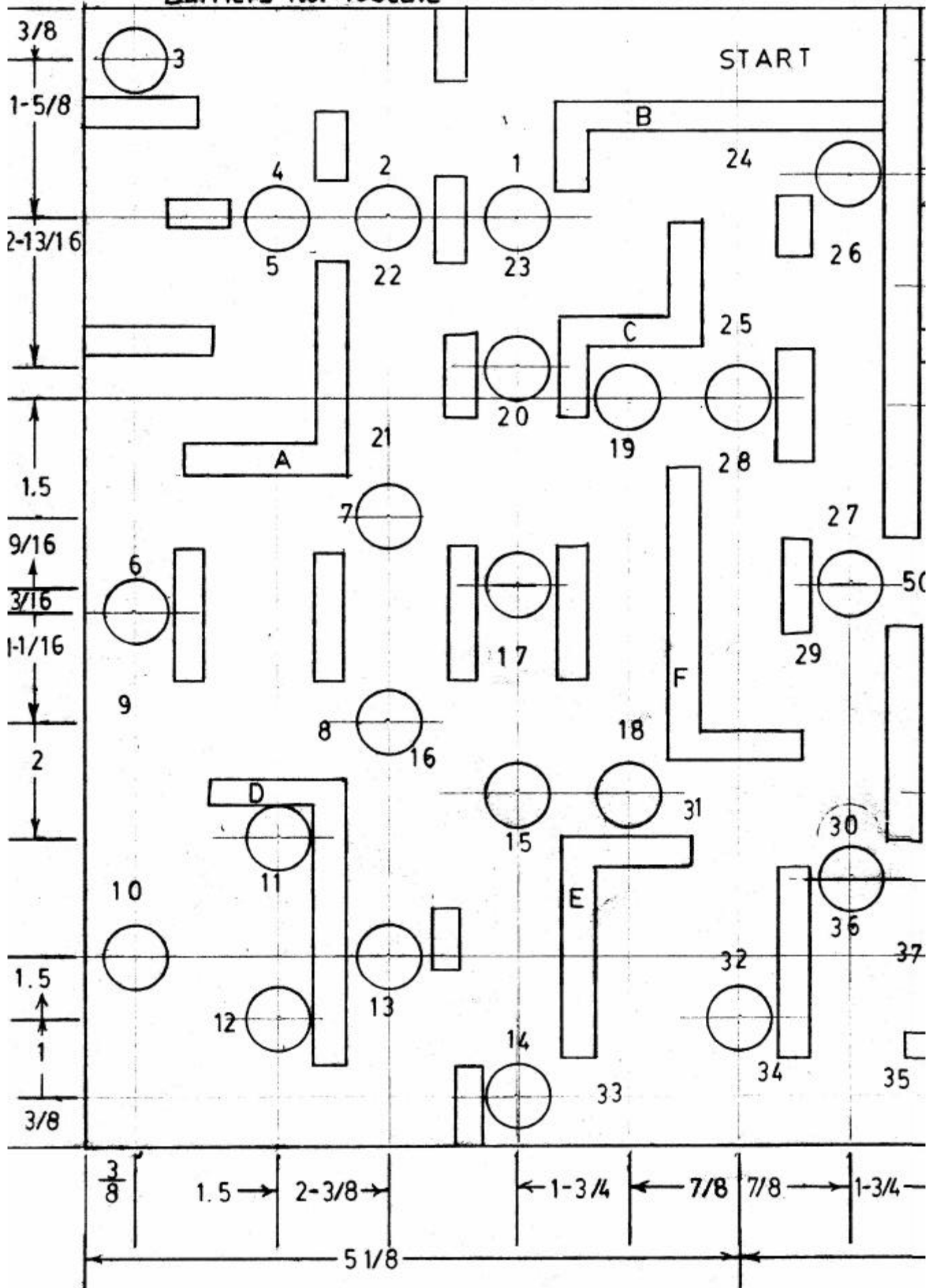


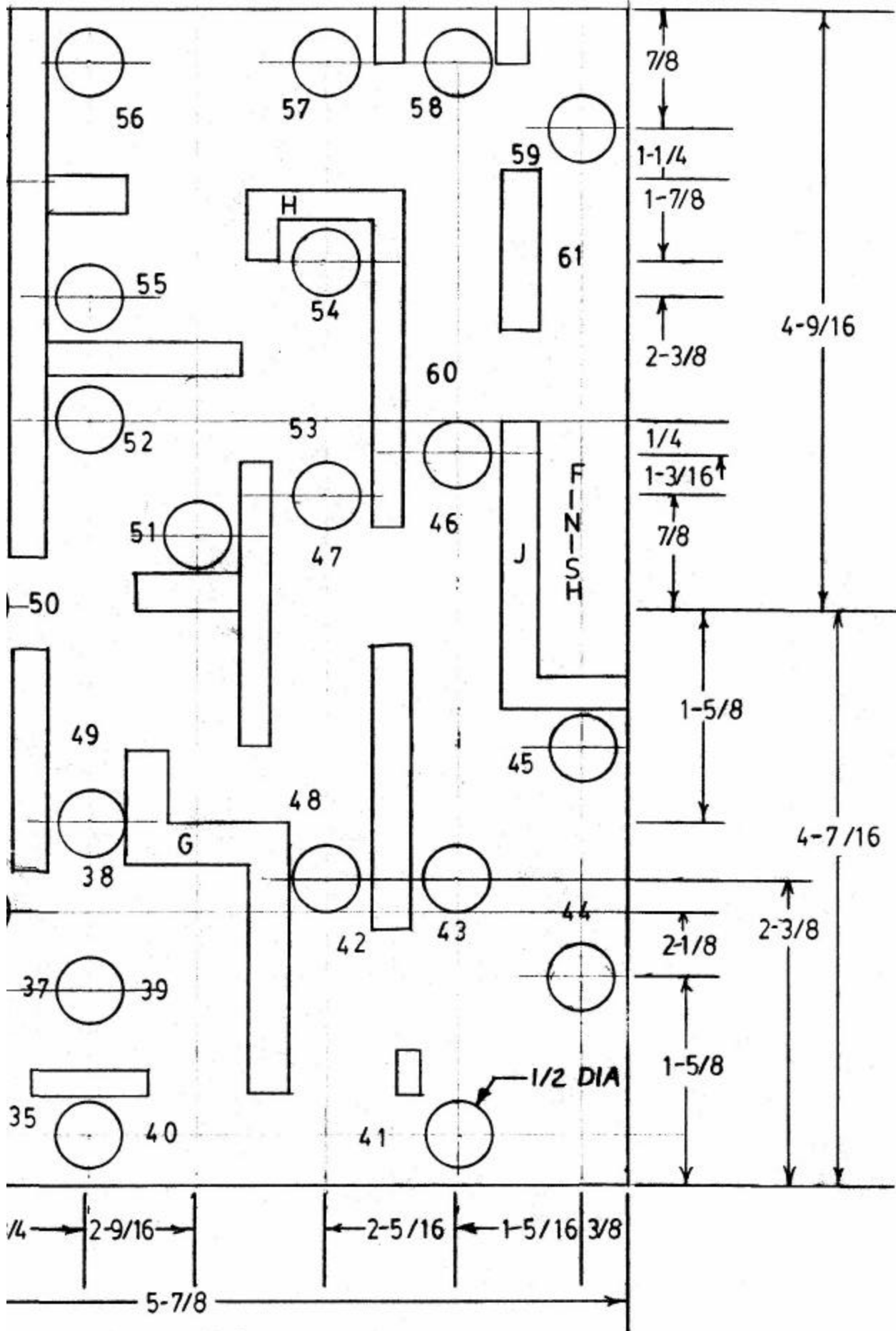
# SPEL

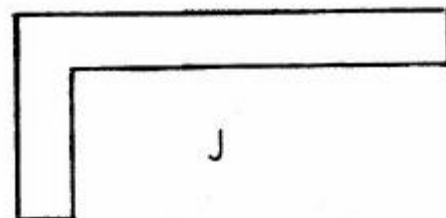
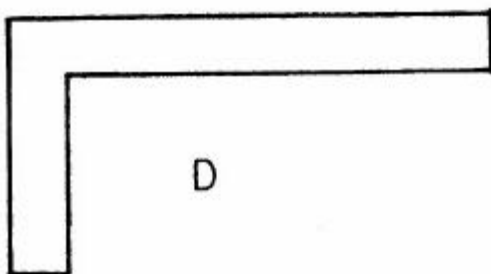
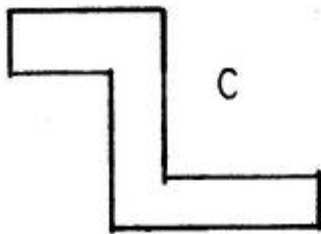
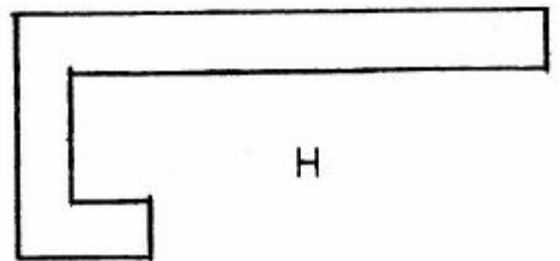
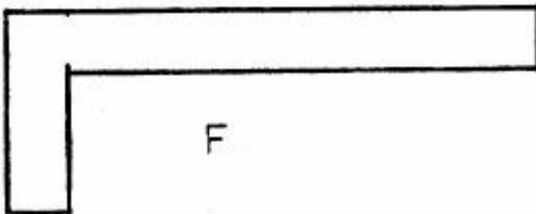
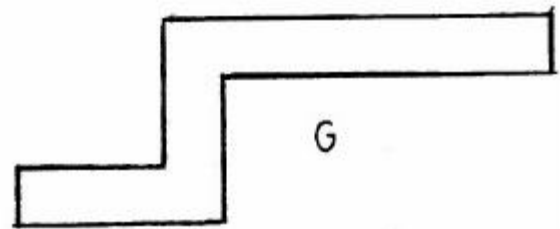
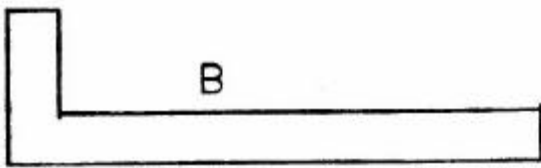
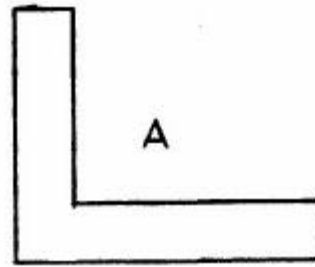
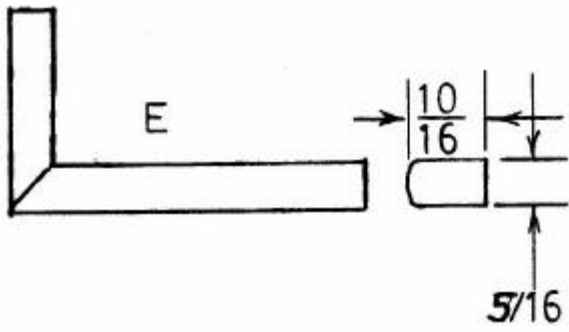


Scale: 1/2  
July 8, 84  
KEITH DAVIES

Barriers Not To Scale







STRAIGHT BARRIERS

<u>REQ</u>	<u>LENGTH</u>
11	1/2
5	3/4
6	1-9/16
2	1-1/4
3	1-1/2
1	1-3/4
<b>1</b>	2-1/8
1	4-1/4

July 9,84  
KEITH DAVIES