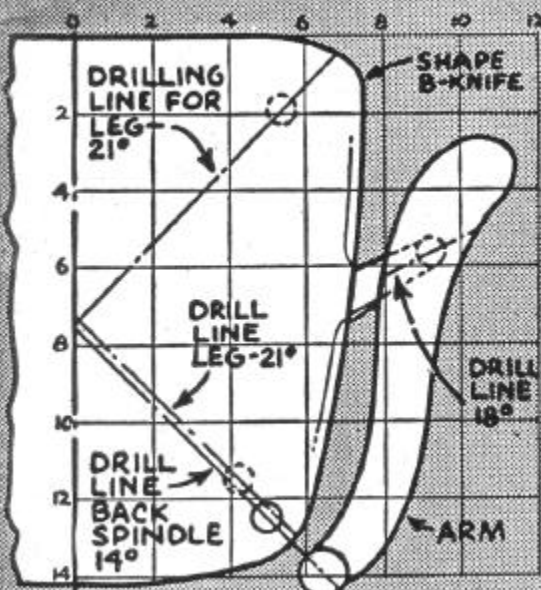
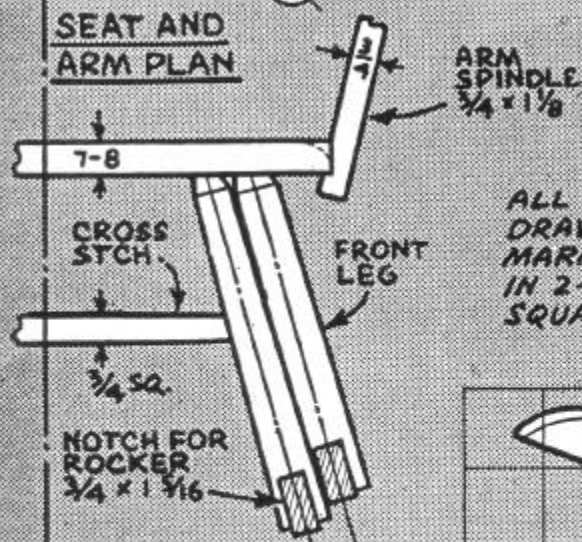


NET SIZES

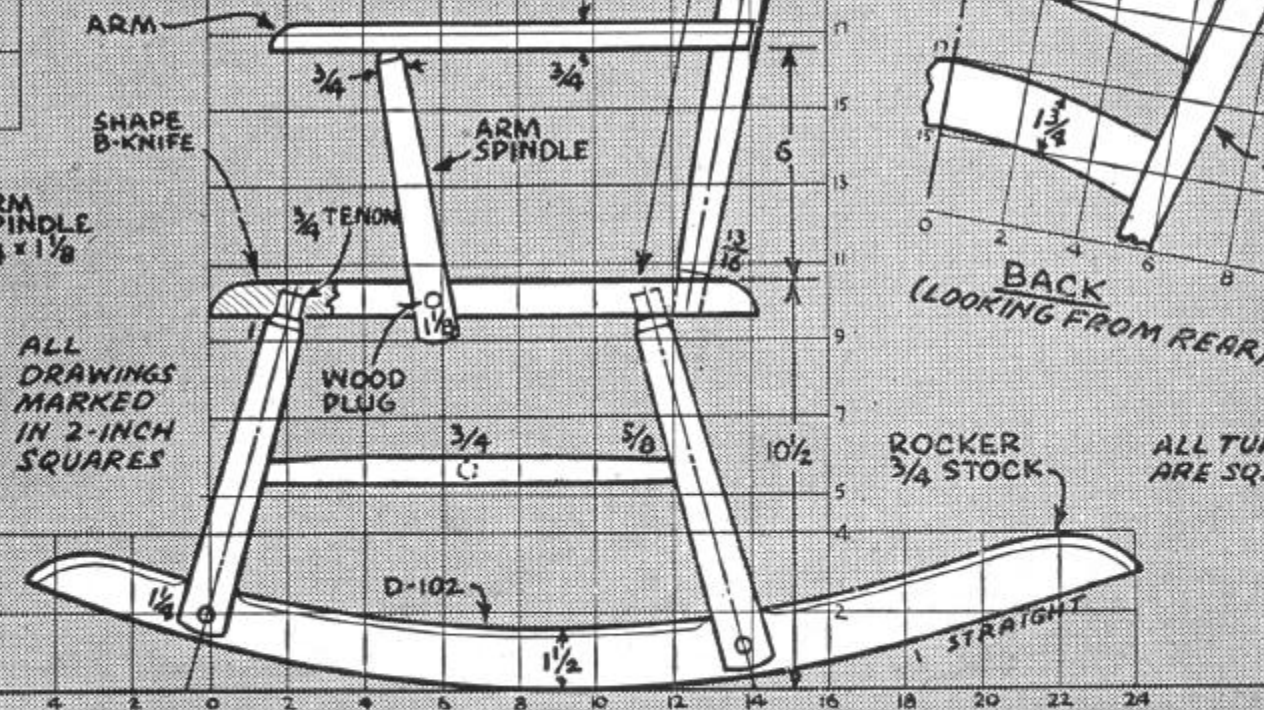
PART	PCS.	T	W	L
SEAT	1	7/8	15	14 1/4
BACK LEGS	2	1 1/4	1 1/4	10 1/4
FRONT LEGS	2	1 1/4	1 1/4	9
ROCKERS	2	3/4	4	29
SIDE STCHS.	2	3/4	3/4	11 3/4
CROSS STCH.	1	3/4	3/4	12
ARMS	2	3/4	2 3/4	12 1/2
ARM SPINDLES	2	3/4	1 1/8	8 1/4
BACK SPINDLES	2	1 1/4	1 1/4	17
BACK RAILS	3	1/2	-	-



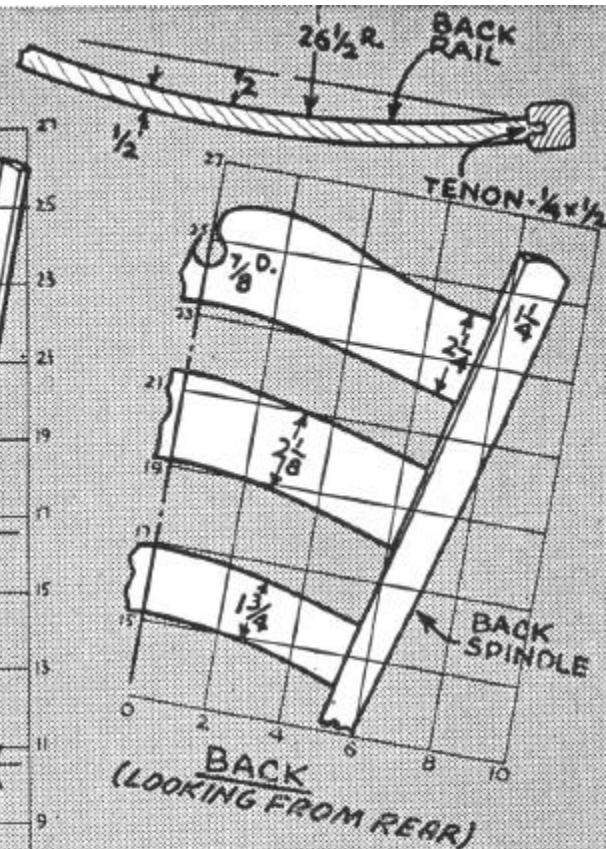
SEAT AND ARM PLAN



ELEVATION FROM REAR



SIDE ELEVATION



ROCKER 3/4 STOCK
ALL TURNINGS ARE SQ. TO RD.